

## BOULEVARD

BDS122

Boulevard 12" Rain Showerhead with 18" Ceiling Mounted Shower Arm



SHOWN IN BOULEVARD 12" RAIN SHOWERHEAD WITH 18" CEILING MOUNTED SHOWER ARM | BDS122

### TECHNICAL DETAILS

Adjustable Versus Fixed Spray: Fixed  
 Fittings Hole Diameter: 1 1/4"  
 Flow Restriction Options: 1.5, 1.75, 2.0  
 Inlet Connection Size: 1/2"  
 Inlet Connection Type: Male NPT  
 Pivot: Y  
 Primary Material: Brass  
 Restricted Maximum Flow Rate: 1.75 gpm  
 Water Pressure Maximum: 85.0 psi  
 Water Pressure Minimum: 20.0 psi  
 Water Pressure Recommended: 45.0 psi

### INSPIRATION

Inspiration from 1930s objects evokes extravagance: a strong silhouette, lavish scale and elegant decoration. Machine and artisan hands yield crisp details and curves.

### CODES & STANDARDS

BDS122X, ASME A112.18.1/CSA B125.1, CEC(1.5GPM & 1.75GPM Only), WaterSense(1.5GPM, 1.75GPM & 2.0GPM Only), DOE, State of MA

### PRODUCT FEATURES

- Made of Brass
- Features a swivel 12" rain showerhead with easy clean rubber nozzles
- Includes an 18" ceiling mounted shower arm
- Stocked in Brass, Chrome, Nickel and Matte Nickel
- Rain showerhead available in 1.75gpm (6.6L/min) flow rate

### CERTIFICATIONS



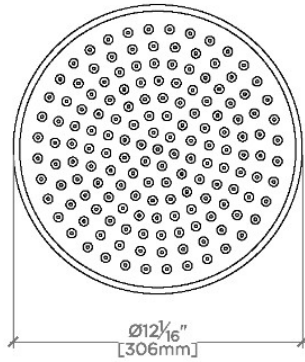
### PRODUCT (NOTES)

# WATERWORKS

## BOULEVARD

BDS122

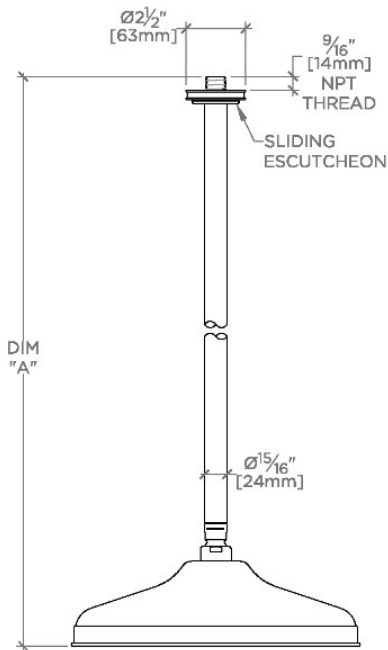
Boulevard 12" Rain Showerhead with 18" Ceiling Mounted Shower Arm



CEILING VIEW

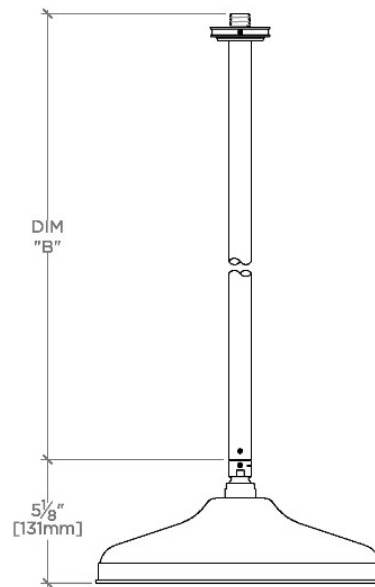
SCALE: 1/2"=1'-0"

STYLE NO.	DIM "A"	DIM "B"
BDS120	11 <sup>3</sup> / <sub>4</sub> " [298mm]	6 <sup>9</sup> / <sub>16</sub> " [167mm]
BDS121	17 <sup>3</sup> / <sub>4</sub> " [450mm]	12 <sup>9</sup> / <sub>16</sub> " [319mm]
BDS122	23 <sup>3</sup> / <sub>4</sub> " [603mm]	18 <sup>9</sup> / <sub>16</sub> " [472mm]



FRONT VIEW

SCALE: 1/2"=1'-0"



SIDE VIEW

SCALE: 1/2"=1'-0"