

## Cinta

CINT01

Cinta Freestanding Solid Surface Bathtub 68" x 32" x 24"



SHOWN IN CINTA FREESTANDING SOLID SURFACE BATHTUB 68" X 32" X 24" | CINT01

### TECHNICAL DETAILS

Adjustable Levelers Feet: N  
 Bathing Type: Bathing and Soaking  
 Bathing Well Sitting Angle: 105 degree\_angle  
 Depth To Overflow: 411 mm  
 Drain Hole Depth: 49 mm  
 Drain Hole Diameter: 56 mm  
 Drilling Option: None  
 Installation Type: Freestanding  
 Overflow Hole Diameter: 70 mm  
 Overflow Opening: Yes  
 Primary Material: stone  
 Single Or Double Ended: Double Ended  
 Suggested Application: Bath

### INSPIRATION

Named for the Spanish word for ribbon, Cinta celebrates the artistry of casting. The subtle exterior ridges that define its surface are not applied but inherent- an expression of the molding process as both method and design language.

### CODES & STANDARDS

CSA B45.5/IAPMO Z124

### PRODUCT FEATURES

Designed by and exclusive to Waterworks

Refined matte finish with a luxurious soft touch feel

Durable, scratch resistant, and seamless repairability

Subtle exterior ridges that define its surface are not applied but inherent

Required Drain and Overflow: UNWO25

### CERTIFICATIONS



### PRODUCT (NOTES)

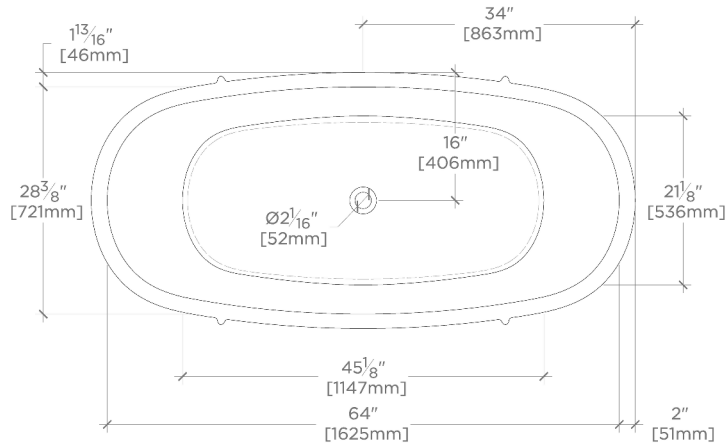
# WATERWORKS

## Cinta

## CINT01

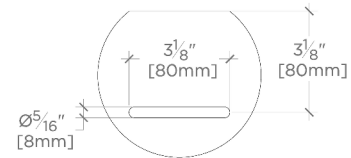
Cinta Freestanding Solid Surface Bathtub 68" x 32" x 24"

REQUIRED DRAIN UNWO25

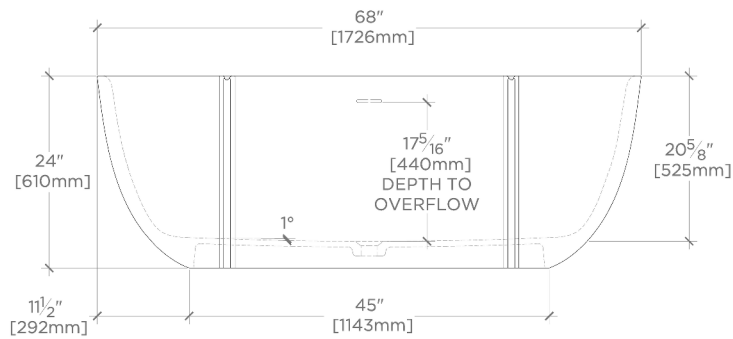


TOP VIEW

SCALE: 1/2"=1'-0"

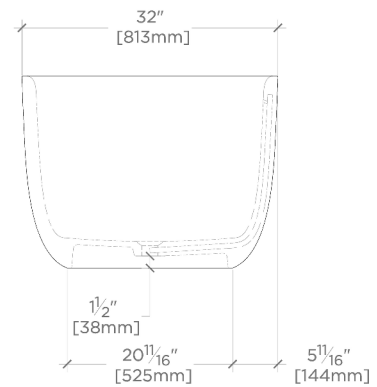


OVERFLOW DETAIL



SIDE VIEW

SCALE: 1/2"=1'-0"



END VIEW

SCALE: 1/2"=1'-0"