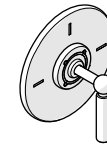


INSTALLATION GUIDELINES



STYLE No. LDTHSE

Ludlow Shinola Edition Thermostatic Control Valve Trim with Two-Tone Lever Handle

IMPORTANT:

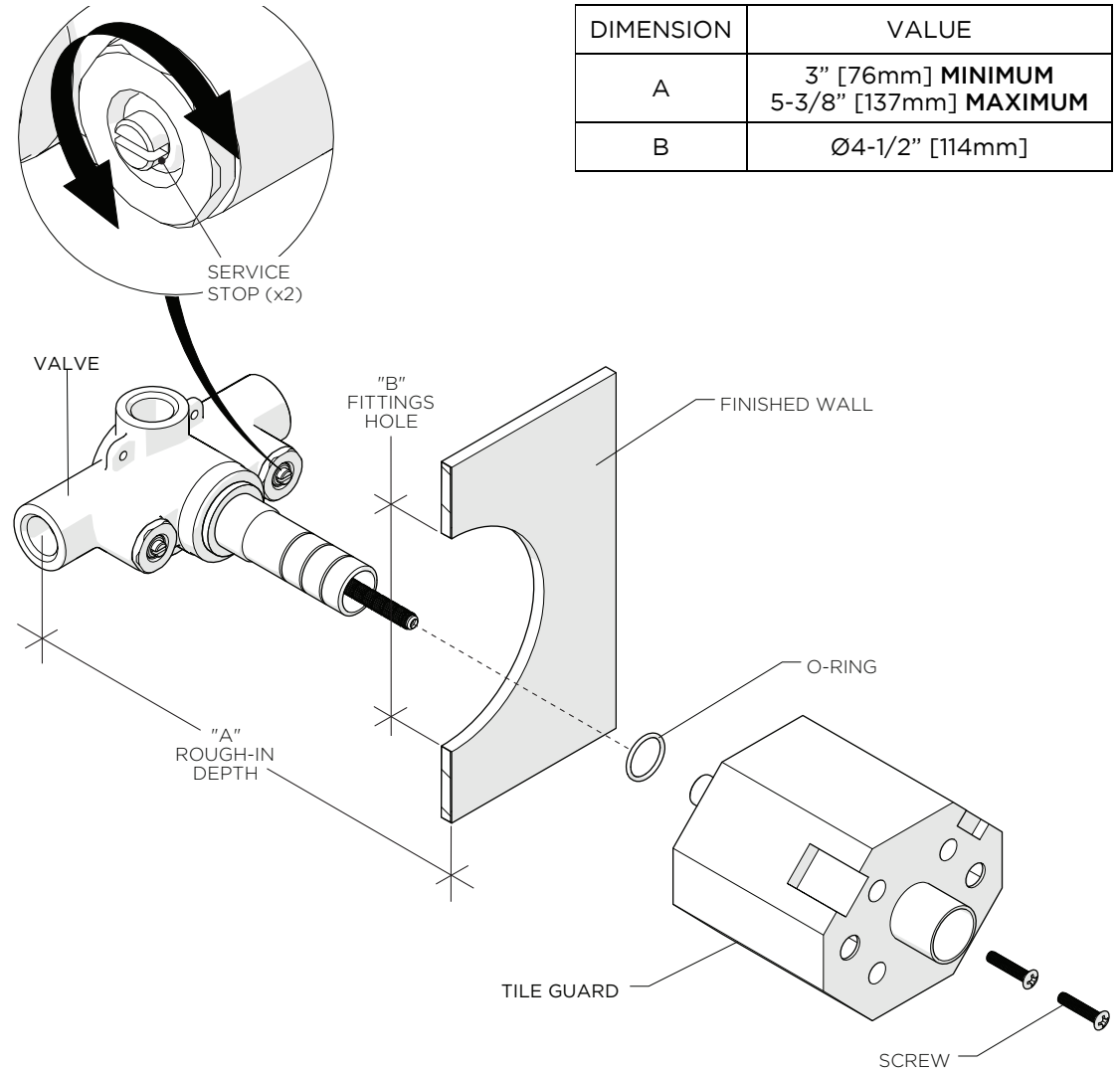
- To ensure this product is installed properly, you must read and follow these guidelines.
- The owner/user of this product must keep this information for future reference.
- This product must be installed by a professional licensed contractor and must be onsite prior to rough-in, this allows the installer to visualize the installation.
- Be sure your installation conforms to federal state, and local codes. In the State of Massachusetts, all installations must comply with the rules and regulations set forth within 248 CMR.
- This product is intended to work with the Waterworks Universal 1/2" Thermostatic Valve (Style No. **GUTH56**) which only mixes hot and cold water. It does not have volume or shut-off capabilities. A diverter or wall valve control on/off/volume and must be installed for each fitting that will have water flowing to it. **ALL VALVES AND TRIMS SOLD SEPARATELY.**
- **WARNING:** GUTH56 features anti-scald protection. The risk of scalding exists until the installer has properly calibrated/adjusted the temperature setting during final TRIM installation.
- Inspect this product to ensure you have all the parts required for proper installation. Product is sold partially assembled but shown fully disassembled for illustrative and service purposes only.
- Use only a strap wrench or protected/smooth-jaw wrench on any finished surface.
- The use of certain plumber's putty may stain stone or tile surfaces.
- If further assistance is required, please contact Product Support at 1-800-927-2120 Monday through Friday, 8am - 6pm EST.
- Refer to the separate Service Parts Documents for available replacement parts.

REQUIRED PLUMBING DETAILS:

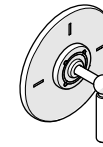
- Universal 1/2" Thermostatic Valve
STYLE No. GUTH56

ROUGH-IN AND VALVE PREPARATION:

- **IMPORTANT:** It is **RECOMMENDED** to flush the supply lines prior to installing the VALVE. Refer to the Installation Guidelines provided with the VALVE for further information on how to properly flush the supply lines.

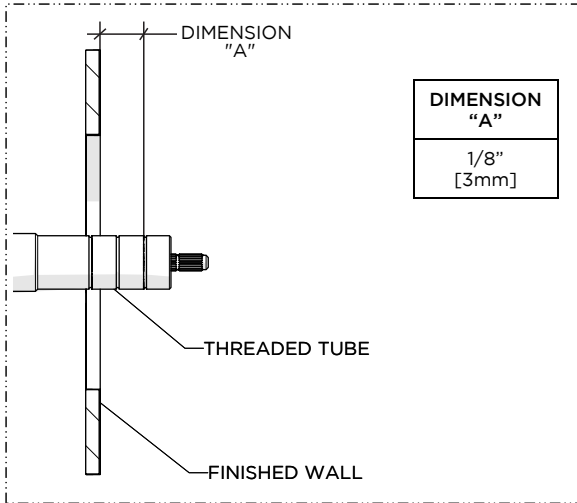


INSTALLATION GUIDELINES

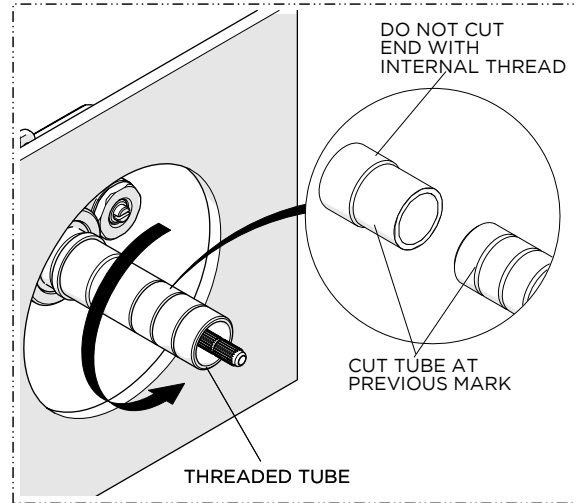


STYLE No. LDTHSE

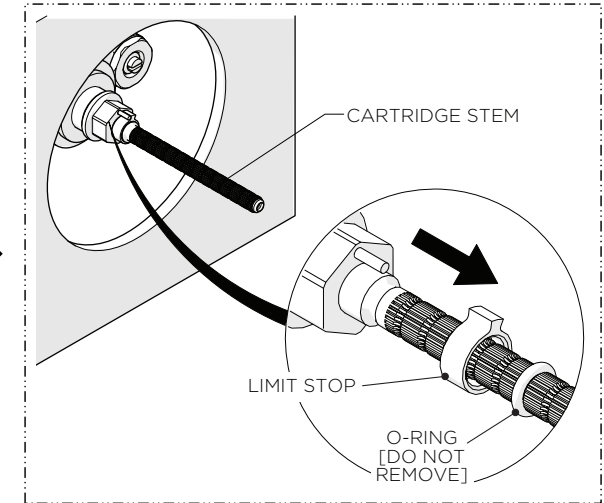
Ludlow Shinola Edition Thermostatic Control Valve Trim with Two-Tone Lever Handle



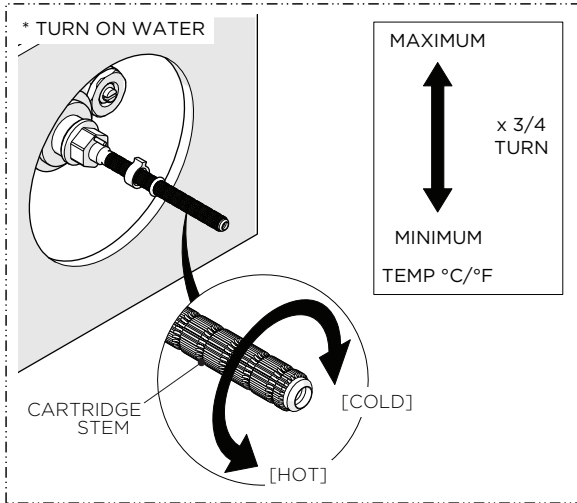
1. Remove the TILE GUARD when ready to install the TRIM then mark the THREADED TUBE in front of the finished wall at the length listed (DIM "A").



2. Remove the THREADED TUBE then cut the TUBE at the previous mark.
CAUTION: Do NOT cut the end with the internal threads.

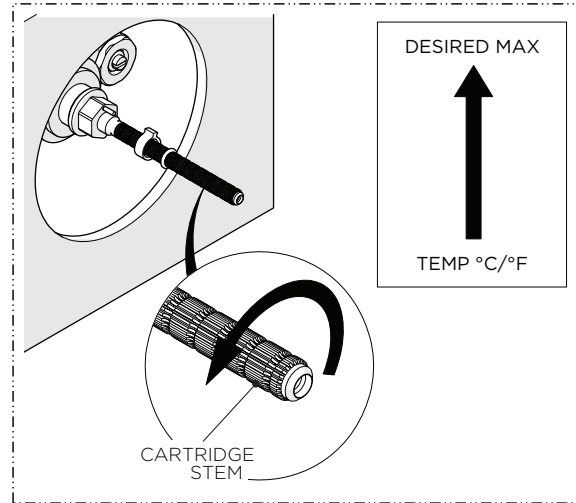


3. Slide the O-RING and LIMIT STOP up the CARTRIDGE STEM.
CAUTION: Do NOT remove or damage the O-RING.

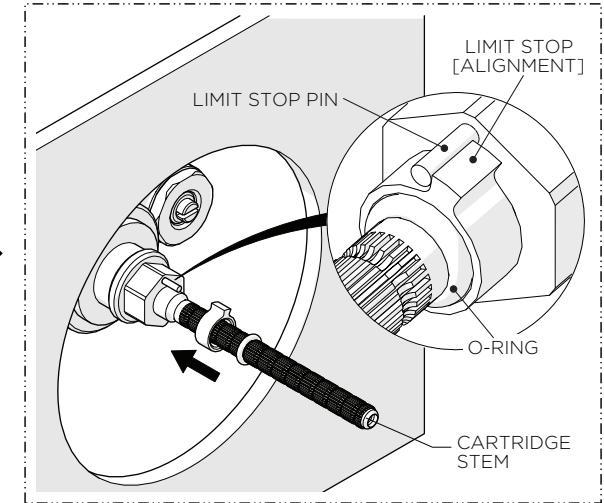


4. Turn on the water supply and open a diverter/wall valve then slowly rotate the CARTRIDGE STEM clockwise to attain full cold then rotate it counter-clockwise to attain full hot. Verify that a full range of temperatures exists.

NOTE: It's approximately 3/4 of a turn.
PRODUCT SUPPORT | 800.927.2120 | WATERWORKS.COM

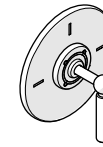


5. With water running, rotate the CARTRIDGE STEM to adjust the temperature to the **maximum** desired bathing temperature, verified with a thermometer, then turn the water off and make sure **NOT** to change this setting.



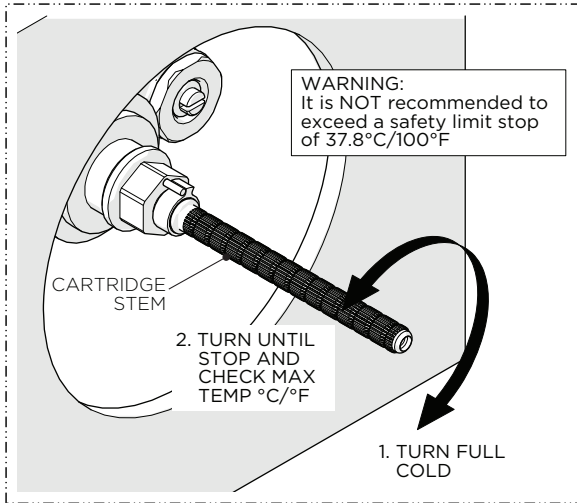
6. Slide the LIMIT STOP and O-RING back down the CARTRIDGE STEM making sure to properly align the LIMIT STOP with the LIMIT STOP PIN
NOTE: The O-RING will prevent the LIMIT STOP from sliding off the STEM.

INSTALLATION GUIDELINES

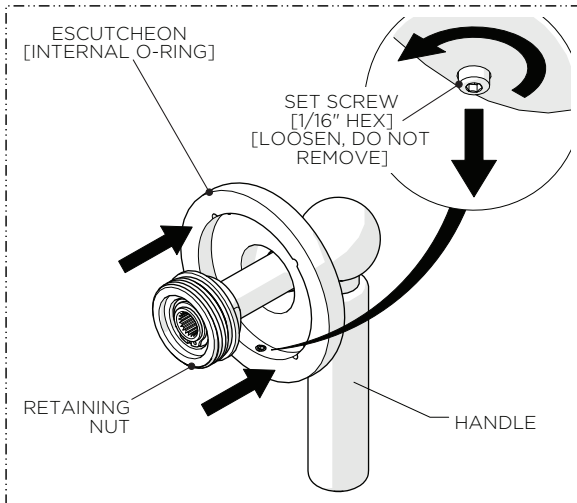


STYLE No. LDTHSE

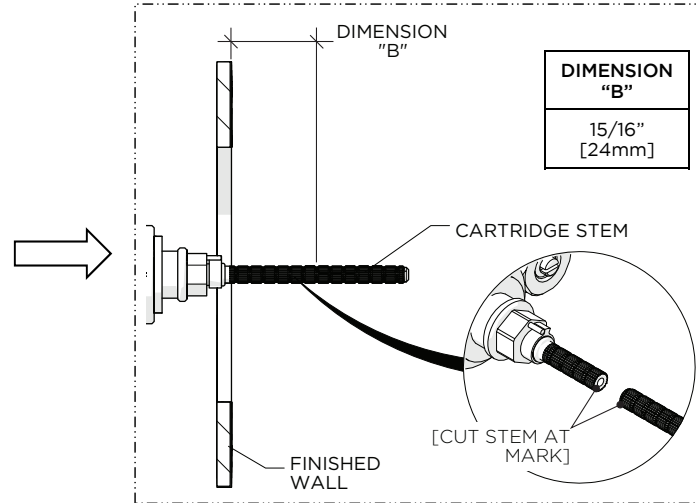
Ludlow Shinola Edition Thermostatic Control Valve Trim with Two-Tone Lever Handle



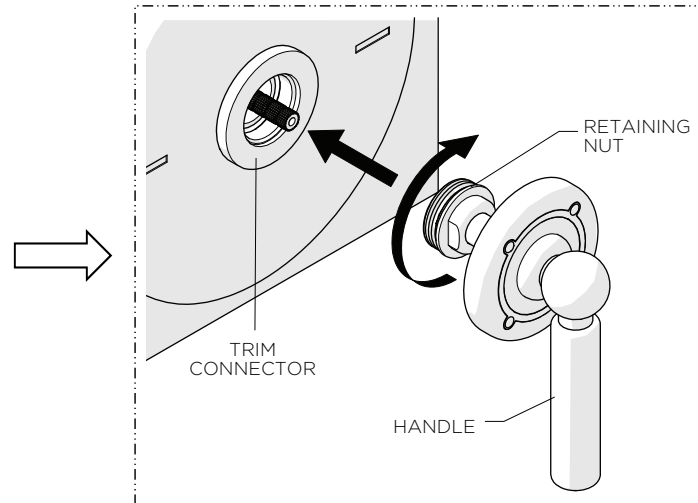
7. Verify the **maximum** desired bathing temperature set in Step 5. If it is not the correct temperature, repeat the calibration procedures.
WARNING: It is NOT recommended to exceed a safety limit stop of 37.8°C/100°F.



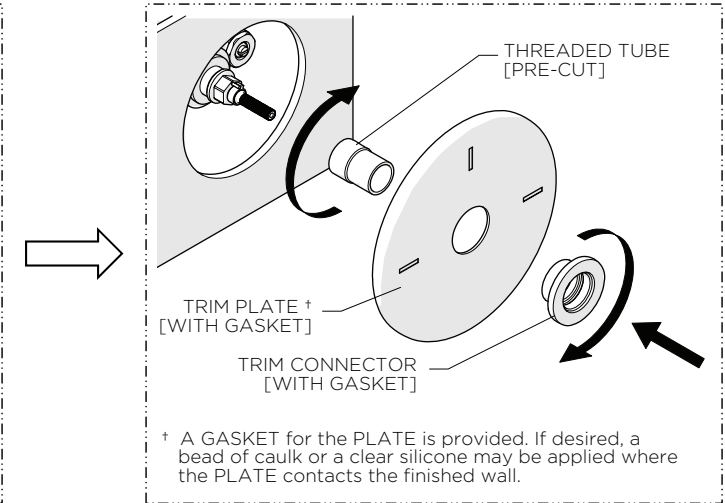
10. Loosen but do NOT remove the SET SCREW at the base of the ESCUTCHEON then slide the ESCUTCHEON up the HANDLE STEM to expose the RETAINING NUT.



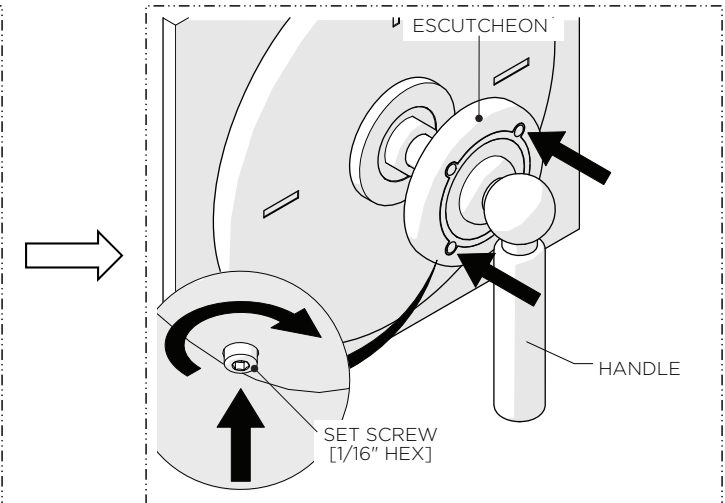
8. Mark the CARTRIDGE STEM in front of the finished wall at the length listed (DIM "B") then cut the STEM at the marked location.



11. With the HANDLE in the desired orientation, place the HANDLE over the CARTRIDGE STEM then thread and securely tighten the RETAINING NUT into the TRIM CONNECTOR.



9. Attach the THREADED TUBE back onto the CARTRIDGE and slide the TRIM PLATE over the TUBE then thread and securely tighten the TRIM CONNECTOR onto the TUBE to hold the PLATE against the finished wall.



12. Slide the ESCUTCHEON down the HANDLE STEM until it stops then thread and securely tighten the SET SCREW and operate the HANDLE to ensure it is functioning properly.