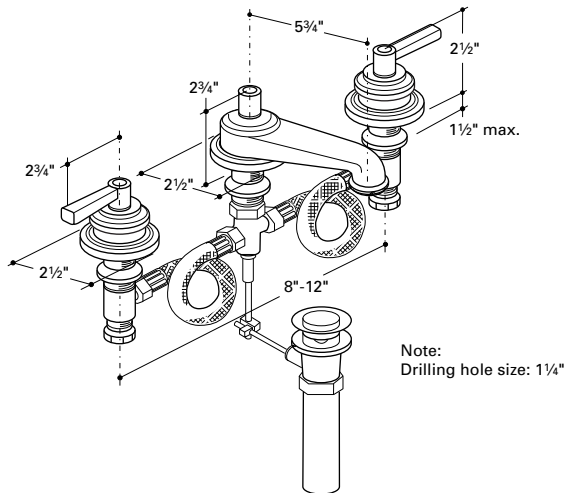


**AELS02, AELS04, & AELS06**



Note:  
Drilling hole size: 1/4"

**INSTALLATION GUIDELINES**

Use only a protected, smooth-jawed, or strap wrench on any finished surface.

If possible, install this faucet assembly on the lavatory before setting.

To remove the trim from the valve body, loosen and remove the handle screw. The cover and escutcheon should be hand tight.

DO NOT use putty on deck fittings. Upper and lower washers are provided.

When you screw the escutcheon onto the deck valve body, expose several threads above it. Next, screw down the valve cover until it seats. Then move up the escutcheon until it loosely meets the bottom of the cover. Finally, tighten the bottom lock nut to secure the valve to the deck.

Once the spout is securely mounted, install the flexible hoses between the spout and valve bodies using the gaskets provided.

The upper waste assembly can be set with putty.

Check for leaks.

Adjust the vertical pop-up rod so that the knob rests on the spout when the waste is in the full open position. If the rod hits the trap, cut excess.

Basin nuts are provided.

After installation, unscrew and remove the aerator assembly. Carefully open the hot and cold valves fully to flush out any debris in the supply lines. Once the lines have been flushed, close the valves and reinstall the aerator assembly.

If further assistance is required, please contact Product Support at 1-800-927-2120 (8am-7pm EST).