

HENRY

HN40LS

Henry Low Profile One Hole Deck Mounted Lavatory Faucet with Metal Cross Handle



SHOWN IN HENRY LOW PROFILE ONE HOLE DECK MOUNTED LAVATORY FAUCET WITH METAL CROSS HANDLE| HNLS40

TECHNICAL DETAILS

ADA Compliance: Yes
Adjustable versus Fixed Spray: Fixed Spray
Deck Thickness Maximum: 32 mm
Deck Thickness Minimum: 0 mm
Drain Depth Maximum: 67 mm
Drain Hole Diameter: 44 mm
Escutcheon Primary Material: Brass
Fittings Hole Diameter: 35 mm
Flow Restriction Options: 1.5, 1.0
Handle Turn Angle: Half Turn
Depth / Width: 183 mm
Drain Depth Minimum: 10 mm
Height: 113 mm
Inlet Connection Size: 3/8"
Inlet Connection Type: Female G/BSPP
Installation Type: Deck Mounted
Integrated Diverter: N
Integrated Spray: N
Length: 73 mm
Number of Handles: One
Number of Holes: One Hole
Primary Material: Brass
Restricted Maximum Flow Rate: 8.3 liters/min
Spout Swivel: N
Spray Included in Unit: N
Suggested Application: Bath
Valve Material: Ceramic
Water Pressure Maximum: 5.5 bar
Water Pressure Minimum: 1.5 bar
Water Pressure Recommended: 3.0 bar

INSPIRATION

Influenced by the connection of industry and art Henry easily transitions between modern, traditional, utilitarian and classic settings.

PRODUCT FEATURES

The manufacturing process encompasses casting, turning, forging, hand-fitting and hand polishing.

Brass material is used for component.

Standard flow rate is 2.2gpm (8.3 L/min) and State of California requires 1.2gpm(4.5 L/min). Also available in other flow options. Contact a sales associate for details.

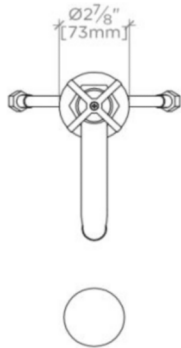
WATERWORKS

HENRY

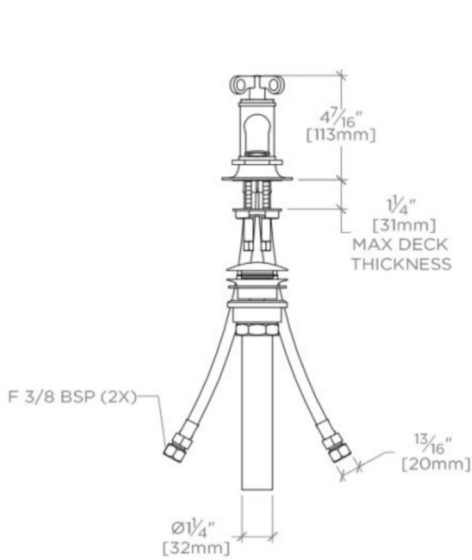
HN40LS

Henry Low Profile One Hole Deck Mounted Lavatory Faucet with Metal Cross Handle

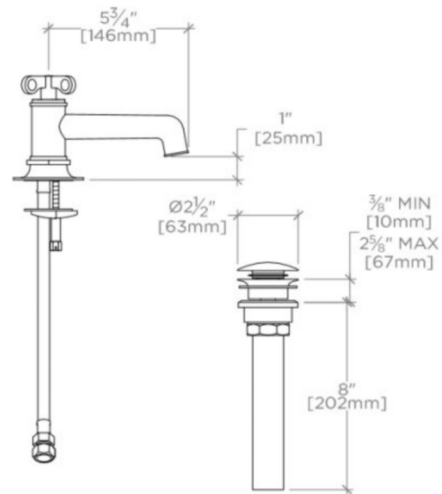
ADAPTER(S) PACKAGED SEPARATELY		
ADAPTER	DESCRIPTION	QTY
UNUK08	9/16"-24 UNEF Male x 3/8" Female BSP in Nickel	2



TOP VIEW SCALE: 1 1/2"=1'-0"



FRONT VIEW SCALE: 1 1/2"=1'-0"



SIDE VIEW SCALE: 1 1/2"=1'-0"