

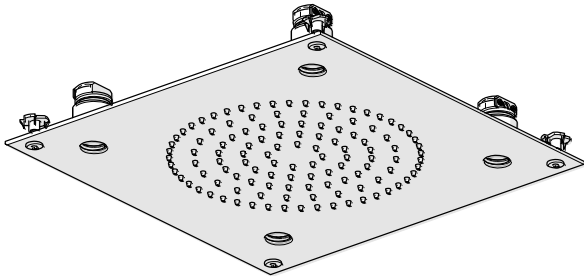
UNIVERSAL

Ceiling Mounted Recessed Showerheads with White Light

INSTALLATION GUIDELINES

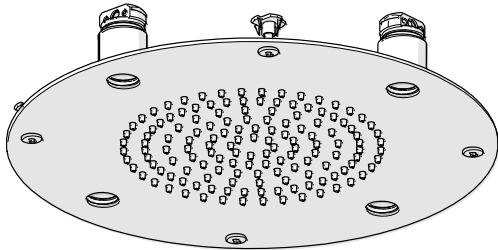
Style No. UNSH12

12" Square Recessed Shower Head with White Light



Style No. UNSH14

12" Round Recessed Shower Head with White Light



SPECIFICATIONS:

Connection Type: 1/2" Female Hose Connection

Electrical Requirements: 100 V-240 V

Recommended Pipe Size: 1/2"

Restricted Maximum Flow Rate: 2.5 gpm

Water Pressure: 20psi MIN - 80psi MAX

Water Pressure Recommended: 45psi

IMPORTANT:

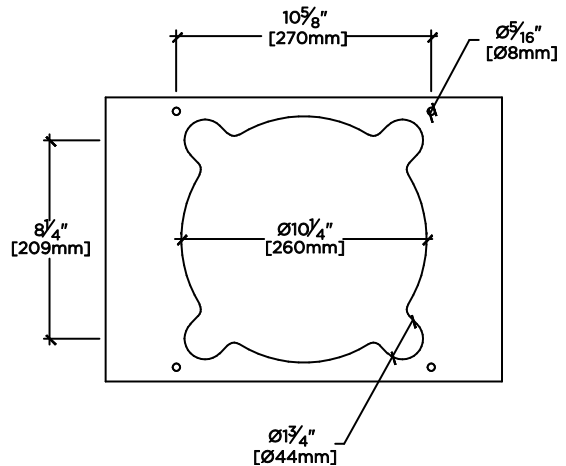
- This product requires both Electrical and Plumbing installations, it is recommended that a licensed plumber and a licensed electrician install this product.
- The lights are intended to operate off a wall mounted light switch.
- **WARNING:** The power supply must be turned off prior to installation. Turn off the main electrical supply to the junction box from the fuse box/circuit breaker. Turning power off at the switch is not sufficient.
- A diverter or wall valve (sold separately) control on/off/volume and must be installed for each fitting that will have water flowing to it.
- Prior to installation verify the locations of ceiling joists.
- To ensure this product is installed properly, you must read and follow these guidelines.
- The owner/user of this product must keep this information for future reference.

- Be sure your installation conforms to federal, state, and local codes. In the State of Massachusetts, all installations must comply with the rules and regulations set forth within 248 CMR.
- This product must be installed by a professional licensed contractor and must be onsite prior to rough-in, this allows the installer to visualize the installation.
- The use of certain plumber's putty can stain stone or tile surfaces.

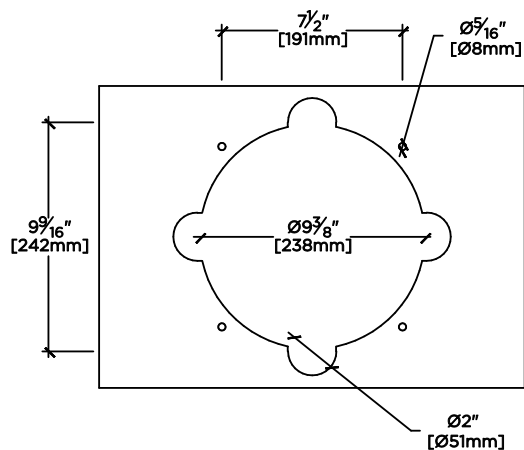
CUTOUT REQUIREMENTS:

- **Note:** A template is provided in each box.
- Determine an ideal location for the ceiling mounted showerhead.

UNSH12



UNSH14



These guidelines have been prepared for the professional contractor to aid in the installation of: FORMWORK 15" Ceiling Mounted Recessed Showerhead (STYLE# FMSH10). All dimensions are based on original specification and are subject to change and variation. Please consult your Design Associate for current specifications.

WATERWORKS

UNIVERSAL

Ceiling Mounted Recessed Showerheads with White Light

INSTALLATION GUIDELINES

ELECTRICAL CONNECTIONS:

- The lights are intended to operate off a wall mounted light switch.
- See Figure 1 for Steps 1 - 4.

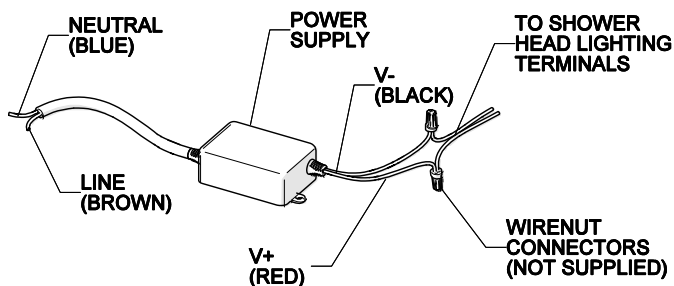


FIGURE - 01

1. Determine the ideal location for the wall mounted light switch and run LINE and NEUTRAL wires to the area of the ceiling mounted showerhead.
2. Connect the LINE and NEUTRAL from the switch to the LINE (Brown) & NEUTRAL (Blue) of the POWER SUPPLY.
3. Attach power supply to closest joist using wood screws (not supplied).
4. Connect the V+ (Red) & V- (Black) of the POWER SUPPLY to the LIGHTING TERMINAL WIRE.

PLUMBING AND SHOWERHEAD INSTALLATION

- Run a well supported 1/2" copper line from the diverter or control valve to the ceiling above the showerhead.
- The ideal location for this showerhead is between 2 ceiling joists and centered in the shower stall.
- It is recommended to flush the lines prior to installing the showerhead.
- The mounting hardware provided, allows the showerhead to be installed directly to the gypsum or drywall board.
- See Figure 2 & 3 for Steps 5 - 8.

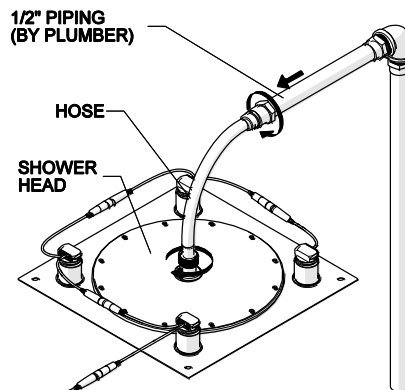


FIGURE - 02

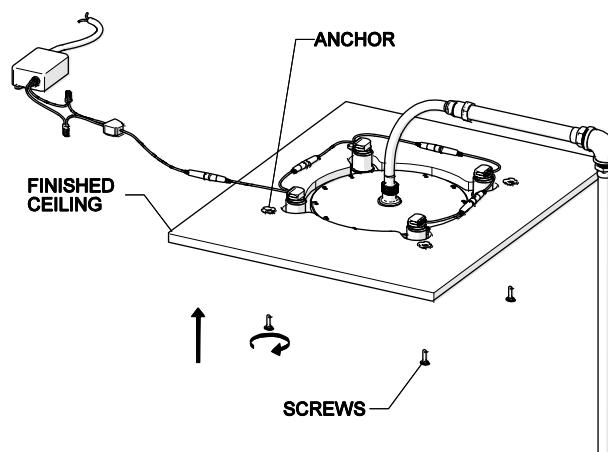


FIGURE - 03

5. Insert the 4 galvanized ANCHORS into the holes on the inside of the ceiling.
6. Connect the HOSE to the 1/2" pipe and to the threaded connection on the SHOWERHEAD.
7. Align the SHOWERHEAD up to the ceiling along with the cutout. Place any extra wiring into the ceiling cavity. DO NOT CUT THE WIRING.
8. Thread the SCREWS into the galvanized ANCHORS, making sure the anchors grab into the ceiling material.

FINISH & INSPECT THE INSTALLATION:

9. Turn power back on and test the lights to make sure they are functioning properly.
 10. Turn water on and inspect all connections for leaks.
- If further assistance is required, please contact Product Support at 1-800-927-2120 (8am-6pm EST).
 - See service part document for parts ordering, available on WATERWORKS.COM

These guidelines have been prepared for the professional contractor to aid in the installation of: FORMWORK 15" Ceiling Mounted Recessed Showerhead (STYLE# FMSH10). All dimensions are based on original specification and are subject to change and variation. Please consult your Design Associate for current specifications.

WATERWORKS