

REGULATOR

RGXT71

Regulator Exposed Floor Mounted Tub Filler with Handshower and Metal Lever Handles



SHOWN IN REGULATOR EXPOSED FLOOR MOUNTED TUB FILLER WITH HANDSHOWER AND METAL LEVER HANDLES | RGXT71

TECHNICAL DETAILS

Adjustable Versus Fixed Spray: Fixed
 Depth/Width: 11 13/16"
 Fittings Hole Diameter: 1 3/8"
 Flow Restriction Options: 2.5, 2.0, 1.75, 1.5, 0.92
 Handle Turn Angle: Quarter Turn
 Handshower Spray Hose Length: 59"
 Height: 36"
 Inlet Connection Size: 3/4"
 Inlet Connection Type: Sweat
 Inlet Supply Spread Maximum: 8"
 Inlet Supply Spread Minimum: 8"
 Integrated Diverter: Y
 Integrated Spray: Y
 Length: 17 3/16"
 Primary Material: Brass
 Suggested Application: Bath
 Water Pressure Maximum: 85.0 psi
 Water Pressure Minimum: 20.0 psi
 Water Pressure Recommended: 45.0 psi

INSPIRATION

A play on industrial controls from the early 1900s, when pride was lavished on parts. Translated to handcrafted, fittings project rugged beauty through powerful, detailed shapes.

CODES & STANDARDS

PRODUCT FEATURES

Metal Lever Handle

Includes Required Unions for Mounting

Exposed Tub Fillers feature a unique shut-off and diverter valve inside the decorative valve body. Handshower features anti-drip technology.

Stocked in Nickel, Chrome and Unlacquered Brass

Stocked in 2.5gpm (9.5 L/min) and 1.75gpm (6.6 L/min) for Handshower. State of California requires 1.75gpm (6.6 L/min) to comply with their water conservation requirements. Other flow options are available to order, contact your sales associate or call 1 (800) 899-6757 for details

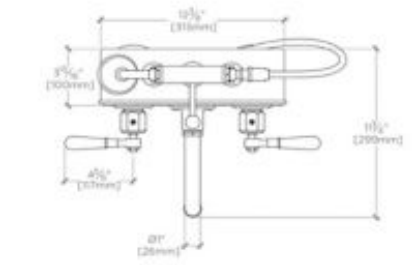
CERTIFICATIONS

PRODUCT (NOTES)

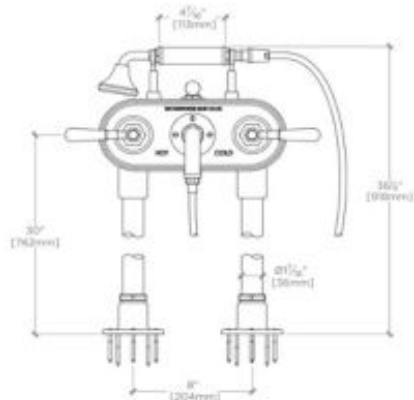
REGULATOR

RGXT71

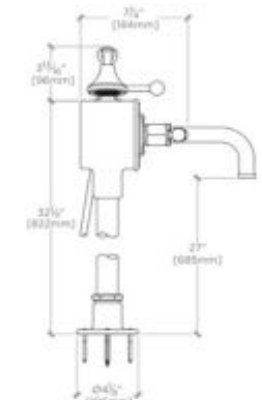
Regulator Exposed Floor Mounted Tub Filler with Handshower and Metal Lever Handles



TOP VIEW SCALE: 1/4"=1'-0"



FRONT VIEW SCALE: 1/4"=1'-0"



SIDE VIEW SCALE: 1/4"=1'-0"