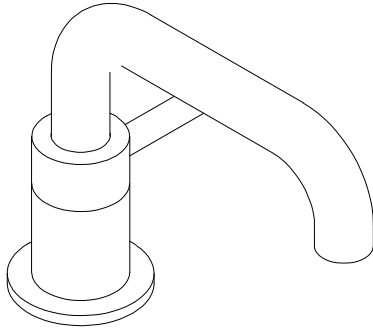


Metal Lever Handle
STYLE No. 417633
MODEL No. FLLS50



SPECIFICATIONS:

Drain Hole Diameter: $1\frac{3}{4}$ "
Drain Style: Push Touch (Drain Included)
Inlet Connection Size: $\frac{3}{8}$ "
Inlet Connection Type: Straight Female Threads
Maximum Deck Thickness: $3\frac{13}{16}$ "
Maximum Water Pressure: 80psi
Minimum Water Pressure: 20psi
Fittings Hole Diameter: $1\frac{3}{8}$ "
Recommended Water Pressure: 45psi
Restricted Maximum Flow Rate: 1.2gpm

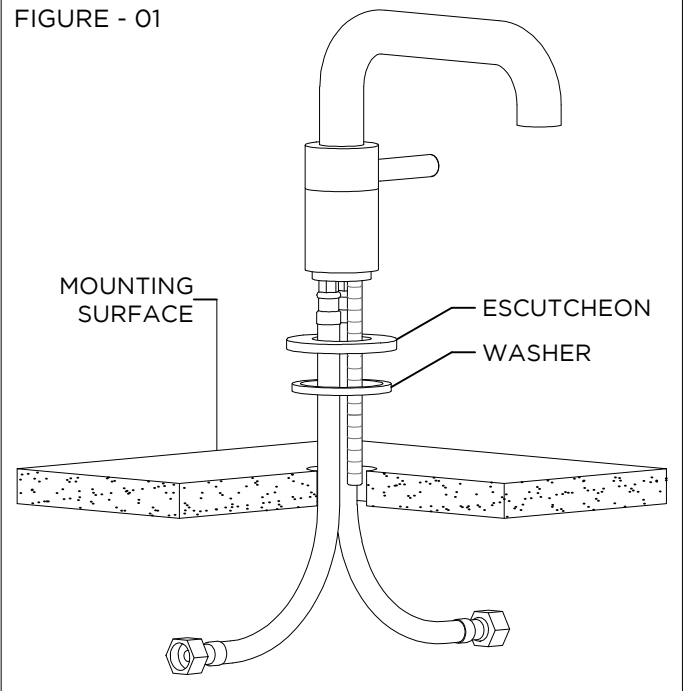
IMPORTANT:

- To ensure this product is installed properly, you must read and follow these guidelines.
- The owner/user of this product must keep this information for future reference .
- Be sure your installation conforms to all federal, state, and local codes. In the State of Massachusetts, all installations must comply with the rules and regulations set forth within 248 CMR.
- This product must be installed by a professional licensed contractor.
- Refer to the specification and assembly drawings attached. Product is sold partially assembled but shown fully disassembled for illustrative and service purposes only.
- Inspect this product to ensure you have all the parts required for proper installation.
- Use only a strap wrench or protected/smooth-jaw wrench on any finished surface.
- DO NOT use putty on deck fittings. Upper and lower washers are provided.

SPOUT INSTALLATION:

1. Attach the threaded rod (14) and supply hoses (20) to the valve body (13).
2. Slide the escutcheon (15) and washer (16) over the supply hoses and threaded rod then Insert the assembly into the hole on the mounting surface. See Figure - 01.

FIGURE - 01



3. Align the valve body so that the lever handle (2) is situated on the right side when facing the faucet. This is the off position, the handle will turn a half turn clockwise to fully open.
4. Use the mounting hardware (17-19) to fix the faucet to the mounting surface. Make sure the valve body (13) sits properly on the escutcheon (15).
5. Properly align the spout (6) and tighten the set screw (4) on the back of the spout to securely hold it in place. See Figure - 02.

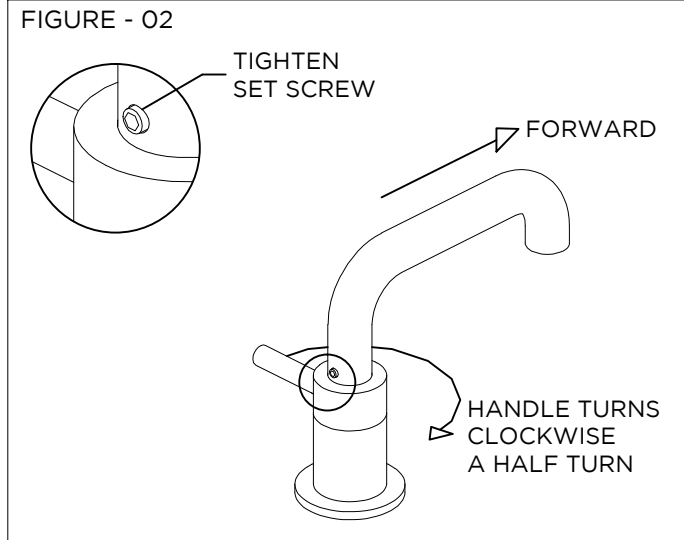
DRAIN INSTALLATION:

6. Remove the tailpiece (30) and mounting hardware (26-28) from the drain flange (25).
7. Set the drain flange (25) in the lavatory drain opening using putty or a clear adhesive silicone depending on the mounting surface material.*
8. Re-install the mounting hardware (27 & 28) onto the drain flange and tighten the nut (28) until fully secured. You can discard the upper drain gasket (26), Putty or a clear adhesive silicone may be used to ensure a water-tight seal between the lower drain gasket (27) and lavatory.*

These guidelines have been prepared for the professional contractor to aid in the installation of:
FLYTE LOW PROFILE ONE HOLE DECK MOUNTED LAVATORY FAUCET WITH METAL LEVER HANDLE
(STYLE No. 417633).

All dimensions are based on origin specification and are subject to change and variation.
Please consult your Design Associate for current specifications.

WATERWORKS
STUDIO



9. Re-attach the tailpiece (30) to the drain flange using the nut (31). Make sure the gasket (29) is in place.

FINISH THE INSTALLATION:

10. Connect the supply hoses (20) to the water supply valves (NOT SUPPLIED).

INSPECT THE INSTALLATION:

11. Remove the aerator (5) using the tool (21) provided, then carefully open the valve to flush out any debris in the supply lines.
12. Inspect all connections for leaks.
13. Close the drain and fill the sink to fill with water to make sure the drain stopper assembly (22-24) operates and seals properly.
14. Re-install the aerator.

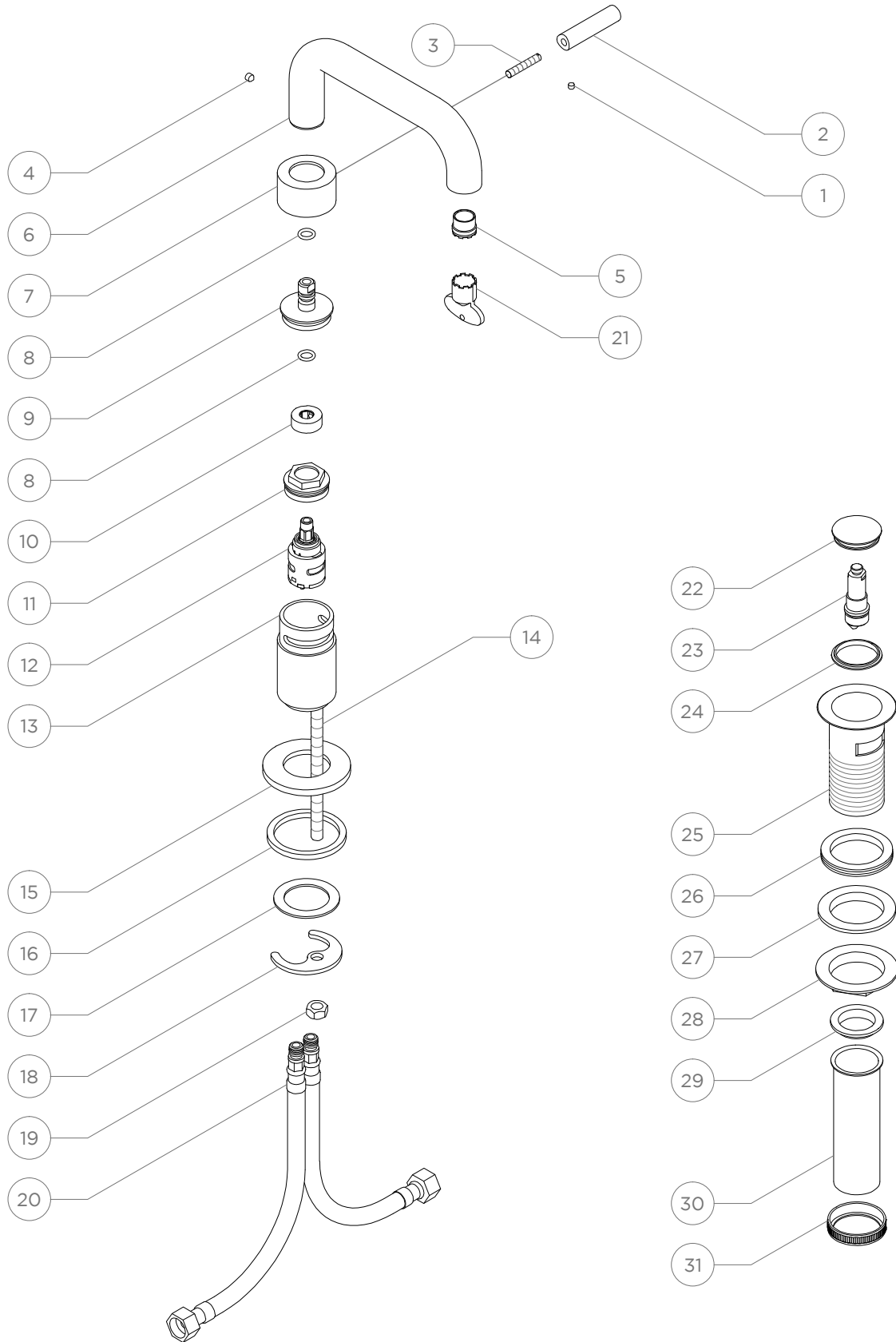
➤ If further assistance is required, contact Product Support at 1-800-927-2120 (9am-6pm EST).

* Putt contains oils and can cause permanent discoloration on certain materials such as marble, granite and any porous surface.

These guidelines have been prepared for the professional contractor to aid in the installation of:
FLYTE LOW PROFILE ONE HOLE DECK MOUNTED LAVATORY FAUCET WITH METAL LEVER HANDLE
(STYLE No. 417633).

All dimensions are based on origin specification and are subject to change and variation.
Please consult your Design Associate for current specifications.

WATERWORKS
STUDIO



These guidelines have been prepared for the professional contractor to aid in the installation of:
FLYTE LOW PROFILE ONE HOLE DECK MOUNTED LAVATORY FAUCET WITH METAL LEVER HANDLE
 (STYLE No. 417633).
 All dimensions are based on origin specification and are subject to change and variation.
 Please consult your Design Associate for current specifications.

WATERWORKS
STUDIO

ITEM NO.	DESCRIPTION	QTY.
1	Set Screw, 2mm Hex, 4mm Length	1
2	Lever Handle	1
3	Screw, Slotted, 30mm Length	1
4	Set Screw, 2.5mm Hex, 6mm Length	1
5	Aerator, 1.5gpm	1
6	Spout	1
7	Handle Hub	1
8	O-Ring, 8mm ID x 2mm Width, Rubber	2
9	Post	1
10	Coupler	1
11	Retaining Collar	1
12	Cartridge	1
13	Valve Body	1
14	Threaded Rod, M8 x 1.25mm, 120mm Length	1
15	Escutcheon	1
16	Washer, 45mm ID x 54mm OD x 4mm Thickness, Rubber	1
17	Washer, 31mm ID x 45mm OD x 1.5mm Thickness, Rubber	1
18	Washer, 3 Shape	1
19	Nut, 13mm Hex	1
20	Flexible Supply Hose	2
21	Aerator Tool	1
22	Drain Stopper, USA Style, Push-Touch	1
23	Plunger Assembly, Drain Stopper	1
24	Drain Stopper Seal, Rubber	1
25	Drain Flange, USA Style	1
26	Upper Drain Gasket, Rubber	1
27	Lower Drain Gasket, Rubber	1
28	Nut, Flange, 40.5mm Hex, Metal	1
29	Tailpiece Gasket	1
30	Tailpiece, 1-1/4", Metal	1
31	Tailpiece Nut	1

These guidelines have been prepared for the professional contractor to aid in the installation of:
FLYTE LOW PROFILE ONE HOLE DECK MOUNTED LAVATORY FAUCET WITH METAL LEVER HANDLE
 (STYLE No. 417633).
 All dimensions are based on origin specification and are subject to change and variation.
 Please consult your Design Associate for current specifications.

WATERWORKS
STUDIO