

OPUS

OPTF90

Opus Deck Mounted Low Profile Concealed Tub Filler with Metal Handshower and Crystal Lever Handles



SHOWN IN NICKEL WITH CRYSTAL LEVER HANDLES

TECHNICAL DETAILS

ADA Compliance: No
 Adjustable versus Fixed Spray: Fixed Spray
 Deck Thickness Maximum: 3"
 Deck Thickness Minimum: 1/8"
 Diameter of Head: 2"
 Escutcheon Primary Material: Brass
 Fittings Hole Diameter: 1 3/8"
 Flow Restriction Options: 2.0, 1.75, 1.5, 0.92
 Handle Spread Maximum: 12"
 Handle Spread Minimum: 10"
 Handle Turn Angle: Quarter Turn
 Handshower / Spray Hose Length: 79"
 Depth / Width: 12"
 Height: 7"
 Inlet Connection Size: 3/4"
 Inlet Connection Type: Male NPT Adapter
 Inlet Supply Spread Maximum: 12"
 Inlet Supply Spread Minimum: 10"
 Installation Type: Deck Mounted
 Integrated Diverter: N
 Length: 18"
 Number of Handles: Two
 Number of Holes: Four Hole
 Pivot: N
 Primary Material: Brass
 Restricted Maximum Flow Rate: 2.5 gpm
 Spout Reach: 9 5/8"
 Spout Swivel: N
 Suggested Application: Bath
 Valve Material: ceramic
 Water Pressure Maximum: 85.0 psi
 Water Pressure Minimum: 20.0 psi
 Water Pressure Recommended: 45.0 psi

INSPIRATION

Opus incorporates a range of sophisticated aesthetic notes, with graceful curves that create a jewel-like refinement.

CODES & STANDARDS

Code # OPTU90: ASME A112.18.1, CSA B125

PRODUCT FEATURES

Brass material is used for trim and valve component parts.

The manufacturing process encompasses casting, turning, stamping, hand-fitting and hand polishing.

Two distinctly different materials, metal and crystal, have been combined to create an elegant fitting.

Eased curves and reflective forms carry the message of cleanliness and clarity.

Standard flow rate is 2.5gpm for handshower only. Also available in high efficient flow options.

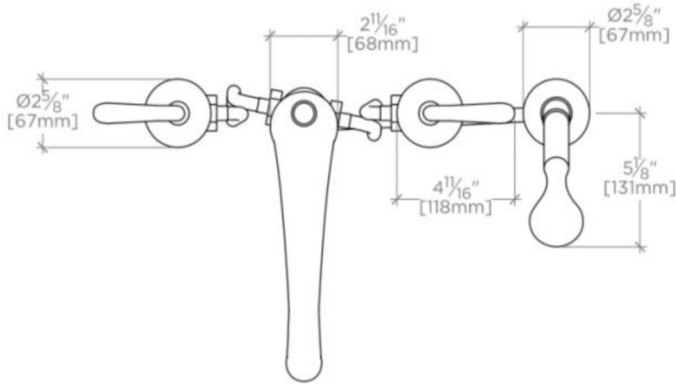
Contact your sales associate or call 1 (800) 899-6757 for details.

WATERWORKS

OPUS

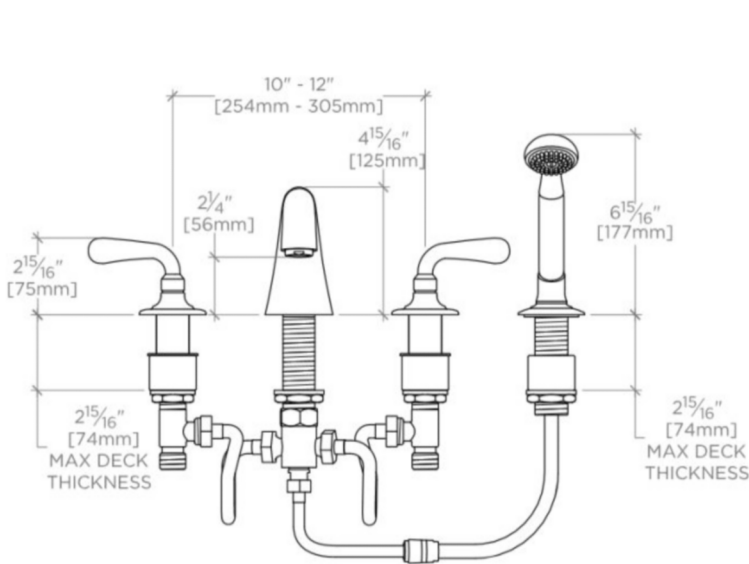
OPTF90

Opus Deck Mounted Low Profile Concealed Tub Filler with Metal Handshower and Crystal Lever Handles



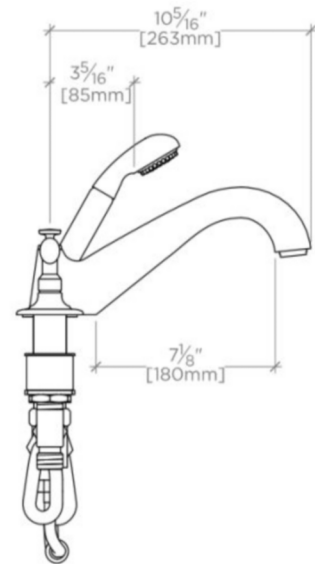
TOP VIEW

SCALE: $\frac{1}{2}"=1'-0"$



FRONT VIEW

SCALE: $\frac{1}{2}"=1'-0"$



SIDE VIEW

SCALE: $\frac{1}{2}"=1'-0"$