

## EASTON

Easton Classic Pair of 2 3/8" x 4 7/16" x 8" Deck Unions

EAUN16



SHOWN IN EASTON VINTAGE EXPOSED TUB FILLER, WHITE PORCELAIN HANDSHOWER AND LEVER DIVERTER WITH METAL

### TECHNICAL DETAILS

Deck Thickness Maximum: 1 7/8"  
Fittings Hole Diameter: 1 1/4"  
Depth / Width: 4 7/16"  
Height: 8"  
Inlet Connection Size: 3/4"  
Inlet Connection Type: Male NPT or Sweat  
Length: 2 3/8"  
Outlet Connection Size: 3/4"  
Outlet Connection Type: Male Straight Thread  
Primary Material: Brass  
Suggested Application: Bath

### INSPIRATION

Drawing on Edwardian style, Easton is the most extensive Waterworks family; a range of moods and a selection of products from fittings to furniture.

### CODES & STANDARDS

Code # EATU16:

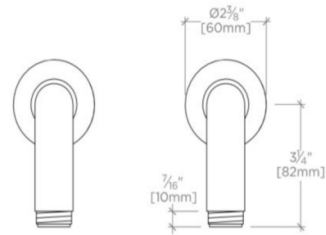
### PRODUCT FEATURES

Brass metal is used for all trim and valve components

The manufacturing process encompasses casting, turning, forging, hand-fitting and hand polishing. Easton has a clean-lined utilitarian profile, with a slightly elongated spout.

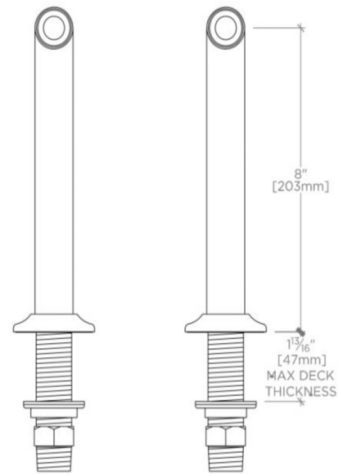


Easton Classic Pair of 2 3/8" x 4 7/16" x 8" Deck Unions



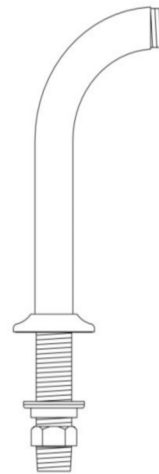
TOP VIEW

SCALE: 3"=1'-0"



FRONT VIEW

SCALE: 3"=1'-0"



SIDE VIEW

SCALE: 3"=1'-0"