

.25

PTLS06

.25 Low Profile Three Hole Wall Mounted Lavatory Faucet with Metal Lever Handles



SHOWN IN [.25 LOW PROFILE THREE HOLE WALL MOUNTED LAVATORY FAUCET WITH METAL LEVER HANDLES] PTLS06

TECHNICAL DETAILS

ADA Compliance: Yes
 Adjustable versus Fixed Spray: Fixed Spray
 Control Valve Rough-in Depth Maximum: 5 1/8"
 Control Valve Rough-in Depth Minimum: 2 1/2"
 Drain Assembly Materials: Brass
 Drain Depth Maximum: 1 3/4"
 Drain Hole Diameter: 1 3/4"
 Drain Style: Push Touch
 Escutcheon Primary Material: Brass
 Flow Restriction Options: 1.0, 1.2, 1.5, 1.75, 2.2
 Handle Spread Maximum: 8"
 Handle Spread Minimum: 8"
 Handle Turn Angle: Quarter Turn
 Depth / Width: 7 1/2"
 Drain Depth Minimum: 1 1/4"
 Height: 2 1/2"
 Inlet Connection Size: 1/2"
 Inlet Connection Type: Copper Sweat
 Inlet Supply Spread Maximum: 8"
 Inlet Supply Spread Minimum: 8"
 Installation Type: Wall Mounted
 Length: 10 3/8"
 Number of Handles: Two
 Number of Holes: Three Hole
 Primary Material: Brass
 Spout Swivel: N
 Suggested Application: Bath
 Valve Material: Ceramic
 Water Pressure Maximum: 85.0 psi
 Water Pressure Minimum: 20.0 psi
 Water Pressure Recommended: 45.0 psi

INSPIRATION

.25 is the ultimate in utilitarian elegance: A simple and understated design that is equally functional and beautiful.

CODES & STANDARDS

Code # PTLS06: Complies with ASME A112.18.1/CSA B125.1, ASME A112.18.2/CSA B125.2, CEC, NSF 61, NSF 372, Watersense, ADA and 0.25% Weighted Average Lead content. Certified with IAPMO, cUPC, CEC, DOE, NSF, State of MA, WRAS and WaterSense.

PRODUCT FEATURES

Uses a simple pop-up drain that is closed and opened by pushing down on the stopper. Does not use a lift rod to operate the drain stopper.

Generous length of the lever handle completes itself with an eased, pillowed square form.

Standard flow rate is 2.2gpm (8.3 L/min) and State of California requires 1.2gpm(4.5 L/min). Also available in other flow options. Contact a sales associate for details.

CERTIFICATIONS



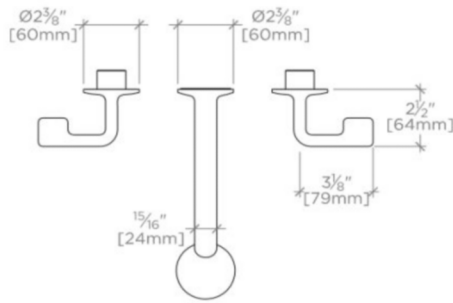
PRODUCT (NOTES)

Sold with European style drain; USA style drain sold separately for use with non-Waterworks sinks.

.25

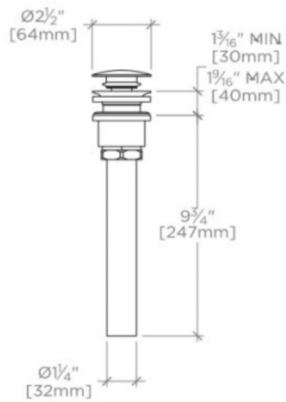
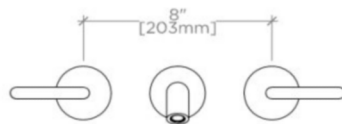
PTLS06

.25 Low Profile Three Hole Wall Mounted Lavatory Faucet with Metal Lever Handles



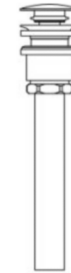
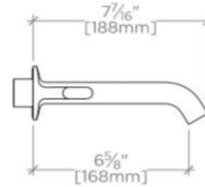
TOP VIEW

SCALE: 1 1/2"=1'-0"



FRONT VIEW

SCALE: 1 1/2"=1'-0"



SIDE VIEW

SCALE: 1 1/2"=1'-0"