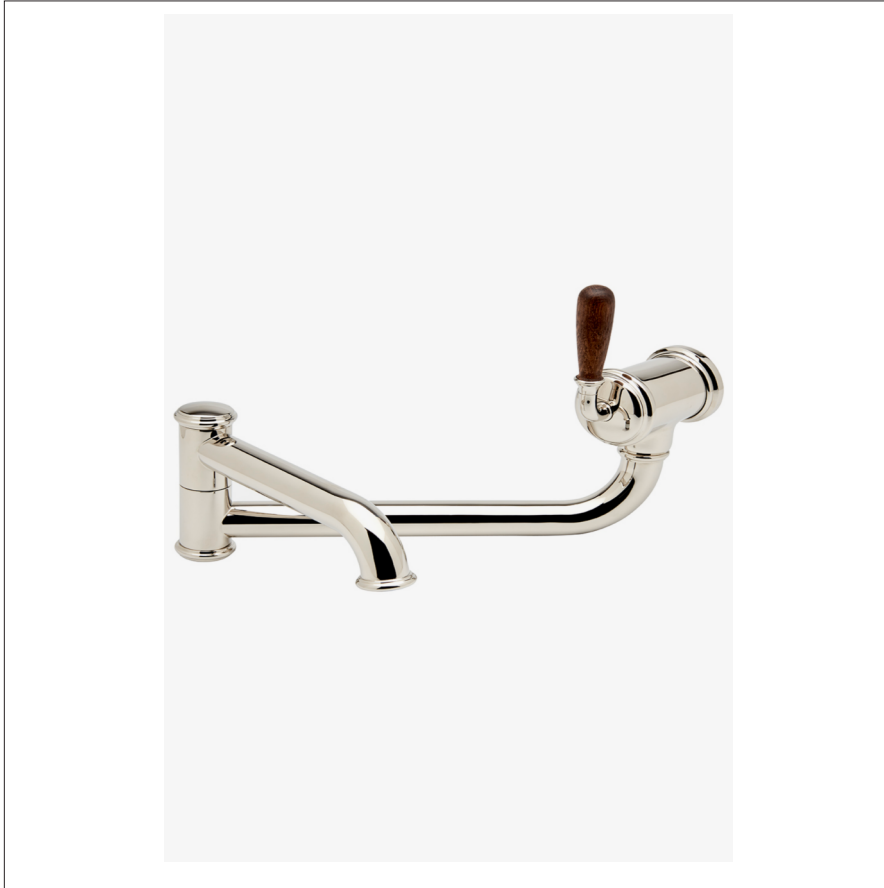


CANTEEN

CEPF01

Canteen Wall Mounted Articulated Pot Filler with Oak Lever Handle



TECHNICAL DETAILS

Escutcheon Primary Material: Brass
Handle Turn Angle: Quarter Turn
Depth / Width: 23 5/16"
Height: 10 1/4"
Inlet Connection Size: 1/2"
Inlet Connection Type: Female NPT
Installation Type: Wall Mounted
Length: 2 3/4"
Number of Holes: One Hole
Primary Material: Brass
Spout Swivel: Y
Suggested Application: Bar, Kitchen, Laundry
Valve Material: Ceramic
Water Pressure Maximum: 85.0 psi
Water Pressure Minimum: 20.0 psi
Water Pressure Recommended: 45.0 psi

INSPIRATION

The traditional kitchen faucet, elevated into a luxurious, heavy-built product. Inspired by the clean simplicity of vintage water pumps, Canteen is sized for drama, with a tall, industrial-elegant spout and durable, handcrafted oak levers. This original, innovative silhouette brings character and dimension to a kitchen.

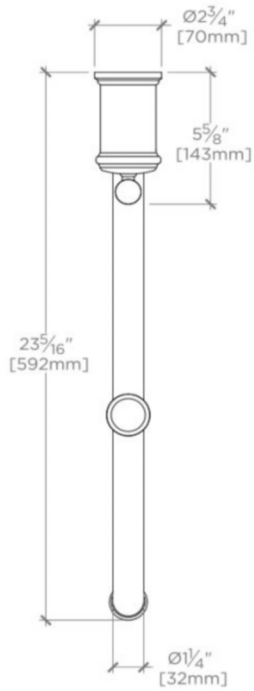
PRODUCT FEATURES

Inspired by the clean simplicity of vintage water pumps.
Features a tall, industrial-elegant spout and durable, handcrafted oak levers.
Modular installation, front spout and body can be installed inverted to accommodate challenging spaces.
Full flow to fill large pots quickly.

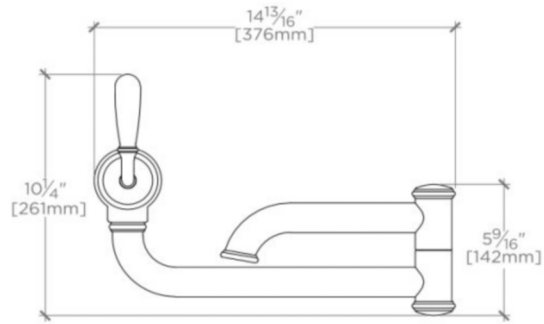
CANTEEN

CEPF01

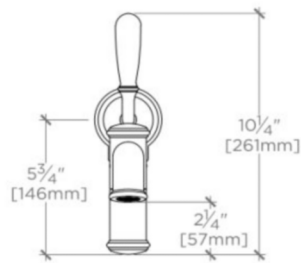
Canteen Wall Mounted Articulated Pot Filler with Oak Lever Handle



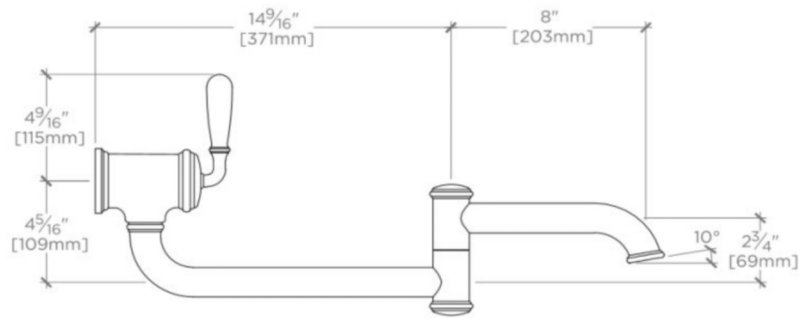
TOP VIEW SCALE: 1/2"=1'-0"



FOLDED VIEW SCALE: 1/2"=1'-0"



FRONT VIEW SCALE: 1/2"=1'-0"



SIDE VIEW SCALE: 1/2"=1'-0"