

UNIVERSAL

UNUN32

Universal Pair of 3 3/4" x 5 1/2" x 35" Floor Unions



SHOWN IN FLOOR UNIONS

TECHNICAL DETAILS

Fittings Hole Diameter: 29 mm
Depth / Width: 140 mm
Height: 889 mm
Inlet Connection Size: 3/4"
Inlet Connection Type: Copper Sweat
Length: 95 mm
Outlet Connection Size: 3/4"
Outlet Connection Type: Male Straight Thread
Primary Material: Brass
Suggested Application: Bath

INSPIRATION

Our Universal collection features timeless designs complementing any of our Waterworks. With a wide range of product, from fittings to accessories, Universal adds exquisite proportion and balance to any environment.

CODES & STANDARDS

Code # EATU32:

PRODUCT FEATURES

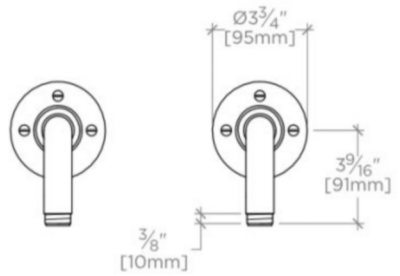
Compliment many of our exposed tub fillers for a traditional installation

WATERWORKS

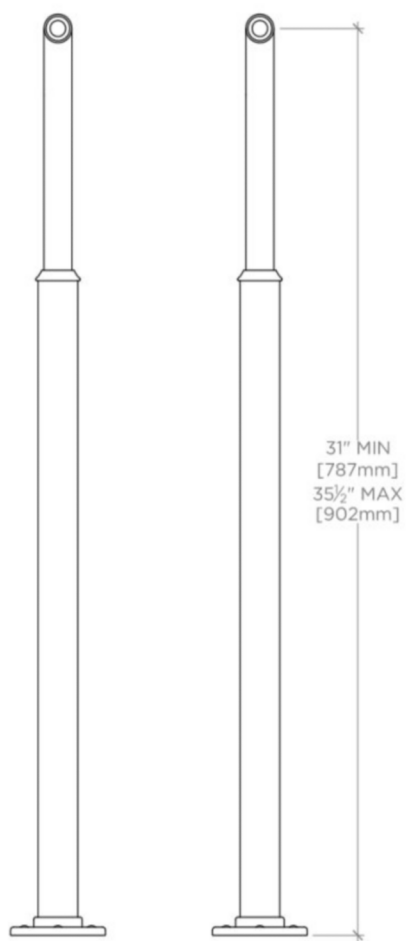
UNIVERSAL

UNUN32

Universal Pair of 3 3/4" x 5 1/2" x 35" Floor Unions



TOP VIEW SCALE: 1/2"=1'-0"



FRONT VIEW SCALE: 1/2"=1'-0"



SIDE VIEW SCALE: 1/2"=1'-0"