

## BOULEVARD

BDPH19

Boulevard Wall Mounted Three Piece Paper Holder



SHOWN IN BOULEVARD WALL MOUNTED THREE PIECE PAPER HOLDER| BDPH19

### TECHNICAL DETAILS

Escutcheon Primary Material: Brass  
Length From Centers: 6"  
Depth / Width: 92 mm  
Height: 64 mm  
Installation Type: Wall Mounted  
Length: 216 mm  
Primary Material: Brass  
Suggested Application: Bath

### INSPIRATION

Inspiration from 1930s objects evokes extravagance: a strong silhouette, lavish scale and elegant decoration. Machine and artisan hands yield crisp details and curves.

### PRODUCT FEATURES

8 1/2" x 3 5/8" x 2 1/2"

Brass Construction

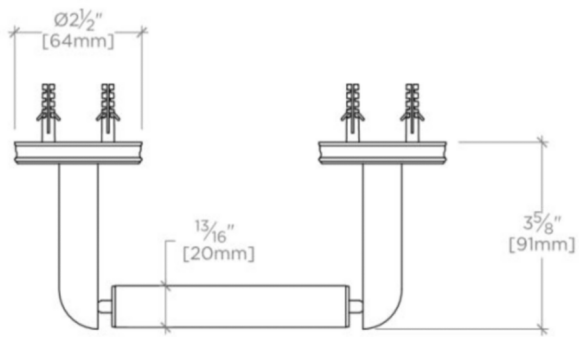
Three Piece Design

5 lb

## BOULEVARD

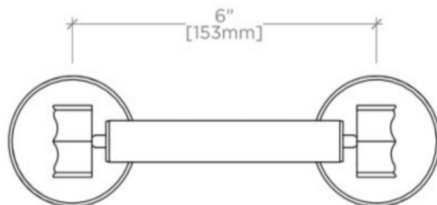
BDPH19

Boulevard Wall Mounted Three Piece Paper Holder



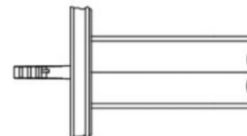
TOP VIEW

SCALE: 3"=1'-0"



FRONT VIEW

SCALE: 3"=1'-0"



SIDE VIEW

SCALE: 3"=1'-0"