

OPUS

Opus One Hole Bidet Fitting with Crystal Egg Handles

OP02BF



SHOWN IN OPUS ONE HOLE BIDET FITTING WITH EGG HANDLES| OPBF02

TECHNICAL DETAILS

ADA Compliance: Yes
Adjustable versus Fixed Spray: Fixed Spray
Deck Thickness Maximum: 38 mm
Deck Thickness Minimum: 0 mm
Drain Assembly Materials: Brass
Drain Depth Maximum: 44 mm
Drain Style: Pop-up
Escutcheon Primary Material: Brass
Fittings Hole Diameter: 35 mm
Handle Turn Angle: Quarter Turn
Depth / Width: 127 mm
Drain Depth Minimum: 35 mm
Height: 102 mm
Inlet Connection Type: 10mm O.D. Supply Tube
Length: 64 mm
Number of Handles: Two
Number of Holes: Three Hole
Pivot: N
Primary Material: Brass
Spout Swivel: Y
Suggested Application: Bath
Valve Material: ceramic
Water Pressure Maximum: 6.0 bar
Water Pressure Minimum: 1.5 bar
Water Pressure Recommended: 3.0 bar

INSPIRATION

Opus incorporates a range of sophisticated aesthetic notes, with graceful curves that create a jewel-like refinement.

CODES & STANDARDS

Code # : Certified with IAPMO & State of MA. Compliant with ASME A112.18.1/CSA B125.1, ASME A112.18.2/CSA B125.2, ANSI A117.1 ADA & ASTM E 1621-05

PRODUCT FEATURES

Brass material is used for trim and valve component parts.

The manufacturing process encompasses casting, turning, stamping, hand-fitting and hand polishing.

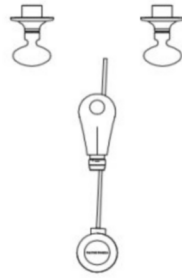
Eased curves and reflective forms carry the message of cleanliness and clarity.

An extensive range of fittings, fixture and accessory options for the lavatory, shower, bathtub.

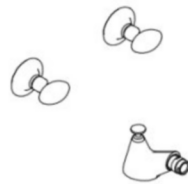
OPUS

OP02BF

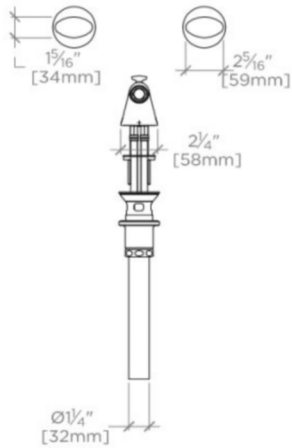
Opus One Hole Bidet Fitting with Crystal Egg Handles



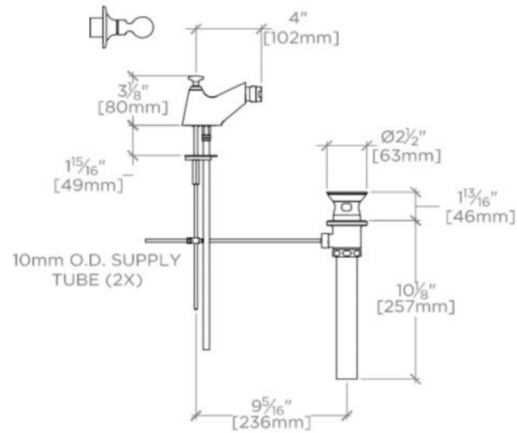
TOP VIEW SCALE: 1"=1'-0"



ISO VIEW SCALE: 1"=1'-0"



FRONT VIEW SCALE: 1"=1'-0"



SIDE VIEW SCALE: 1"=1'-0"