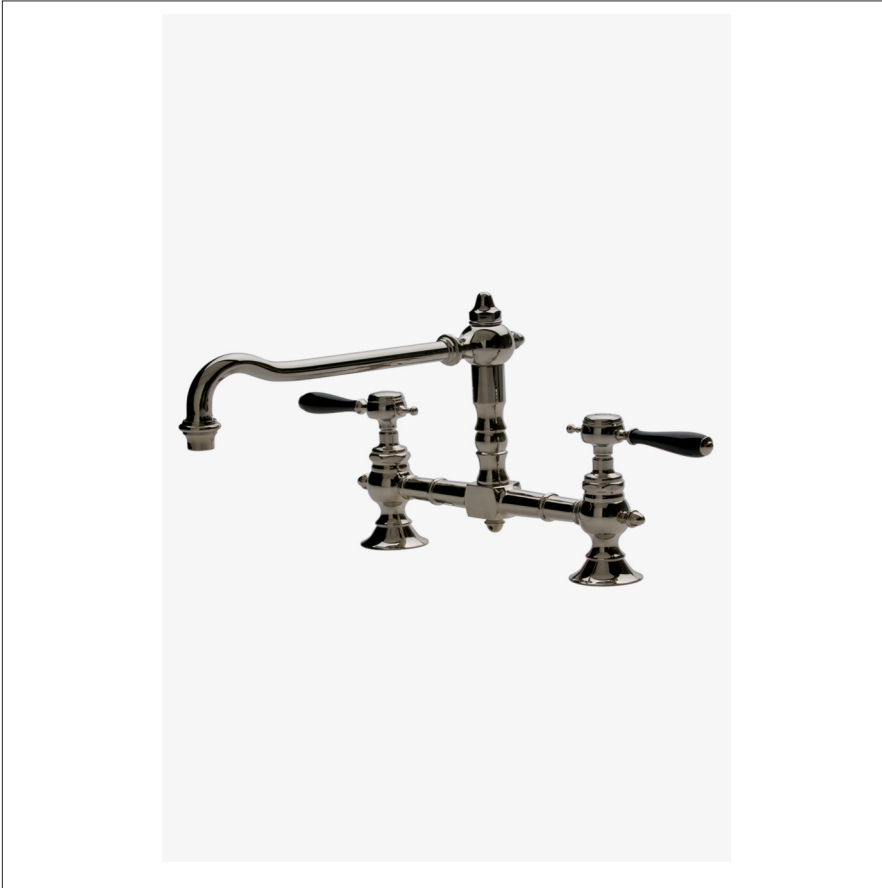


# WATERWORKS

## JULIA

Julia Two Hole Bridge High Profile Kitchen Faucet, Black Porcelain Lever Handles

JUKM15



SHOWN IN SERVICE PARTS SPRAY HOOK KIT | 104237

### TECHNICAL DETAILS

ADA Compliance: Yes  
Adjustable versus Fixed Spray: Fixed Spray  
Deck Thickness Maximum: 2 1/4"  
Deck Thickness Minimum: 0"  
Escutcheon Primary Material: Brass  
Fittings Hole Diameter: 1"  
Flow Restriction Options: 1.5, 1.0  
Handle Spread Maximum: 7 7/8"  
Handle Spread Minimum: 7 7/8"  
Handle Turn Angle: Quarter Turn  
Index Color / Finish and Material: Architectural Bronze  
Depth / Width: 11 1/4"  
Height: 8 7/8"  
Index Marking: H/C  
Inlet Connection Size: 1/2"  
Inlet Connection Type: Straight Male Threads  
Inlet Supply Spread Maximum: 7 7/8"  
Inlet Supply Spread Minimum: 7 7/8"  
Length: 11 1/2"  
Number of Handles: Two  
Number of Holes: Two Hole  
Primary Material: Brass  
Restricted Maximum Flow Rate: 2.2 gpm  
Spout Swivel: Y  
Spray Included in Unit: N  
Suggested Application: Bar, Kitchen, Laundry  
Valve Material: Ceramic  
Water Pressure Maximum: 85.0 psi  
Water Pressure Minimum: 20.0 psi  
Water Pressure Recommended: 45.0 psi

### INSPIRATION

An interpretation of 1920s French country, Julia speaks to decoration and intricate design displayed through beautifully composed turnings. These details embody the robust, signature high profile spout enabling Julia to transition fluidly from informal to formal environments.

### PRODUCT FEATURES

Exposed mixer features signature detail of the graceful, high profile swivel spout, and metal indices engraved in a simplistic "H" or "C". The addition of a kitchen spray completes the look and functionality of any kitchen.

Available with metal, wood or porcelain handle materials as well as made-to-order materials including semiprecious stones.

Standard flow rate is 2.2gpm (8.3 L/min) and State of California requires a maximum of 1.8gpm(6.8 L/min). Also available in other flow options. Contact a sales associate for details.

### CODES & STANDARDS

Code # JUKM13: ASME A112.18.1 / CSA B125.1, NSF, IAPMO, CEC, State of MA

### CERTIFICATIONS

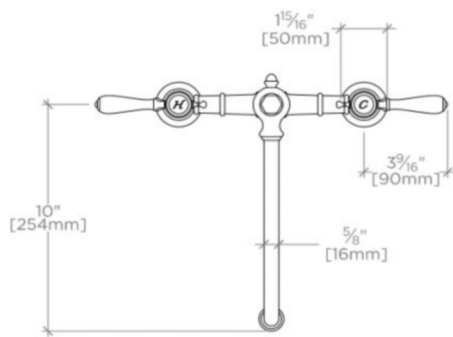


# WATERWORKS

## JULIA

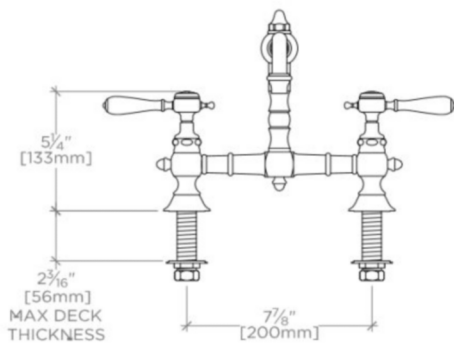
JUKM15

Julia Two Hole Bridge High Profile Kitchen Faucet, Black Porcelain  
Lever Handles



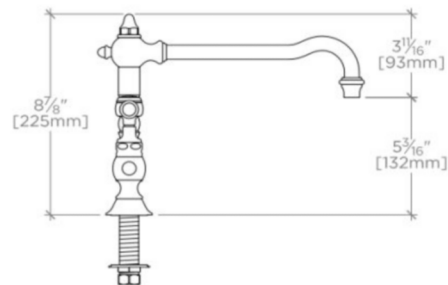
TOP VIEW

SCALE: 1 1/2"=1'-0"



FRONT VIEW

SCALE: 1 1/2"=1'-0"



SIDE VIEW

SCALE: 1 1/2"=1'-0"