

## WATERWORKS

PRODUCT SUPPORT  
800.927.2120  
WATERWORKS.COM

# AERO RETRO

Gooseneck Four Hole Kitchen Mixer with  
Metal Lever Handles in Chrome Complies  
with 0.25% WALC

**STYLE No.** RTKM04

**REFERENCE No.** Reference-Number

**ITEM No.** 07-39144-65330

**SPECIFICATIONS**  
PAGE 1 OF 3

### DESIGN

An easy and instinctive silhouette, Aero Retro is a softer version of Aero with a more informal feeling.

### FEATURES

Brass material is used for all trim and valve component parts.

The manufacturing process encompasses casting, turning, hand-fitting and hand polishing.

A comprehensive product line of fittings options for the lavatory, shower, and bathtub.

Aero Retro is a special order collection

Available option that complies with 0.25% Weighted Average Lead Content (WALC).



SHOWN IN Nickel

# WATERWORKS

PRODUCT SUPPORT  
800.927.2120  
WATERWORKS.COM

# AERO RETRO

Gooseneck Four Hole Kitchen Mixer with  
Metal Lever Handles in Chrome Complies  
with 0.25% WALC

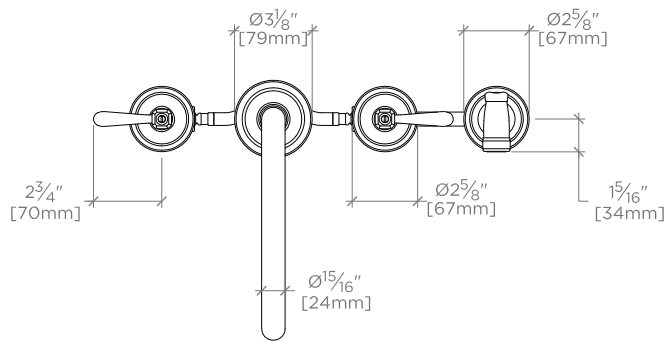
**STYLE No.** RTKM04

**REFERENCE No.** Reference-Number

**ITEM No.** 07-39144-65330

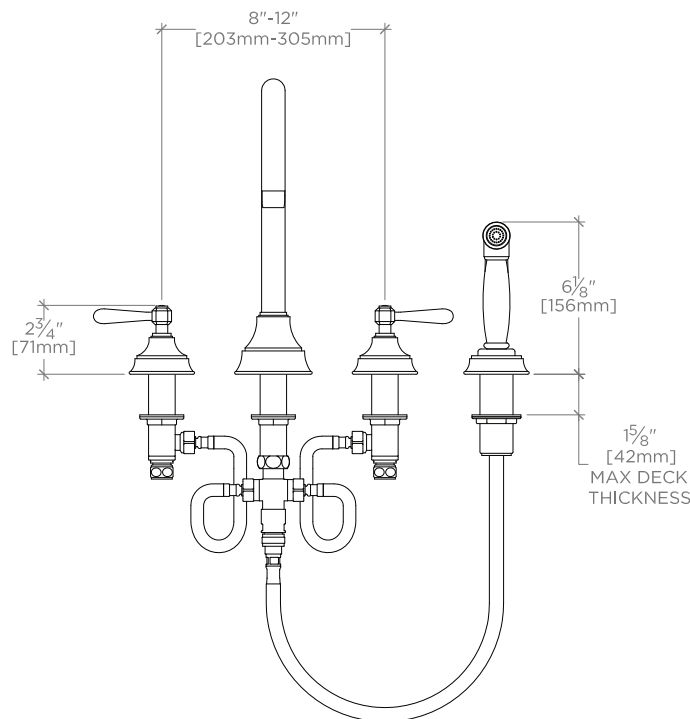
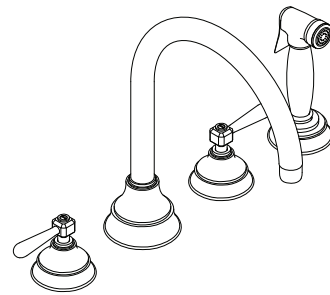
**SPECIFICATIONS**  
PAGE 2 OF 3

*All dimensions are based on original specifications and are subject to change and variation. Please consult your Design Associate for current specifications.*



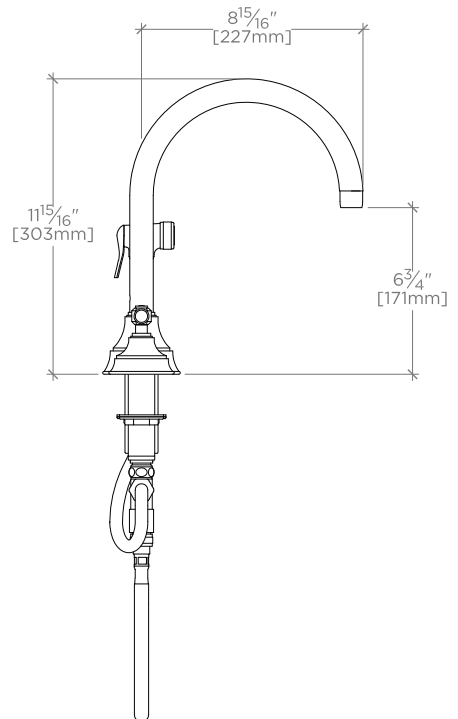
TOP VIEW

SCALE:  $1\frac{1}{2}"=1'-0"$



FRONT VIEW

SCALE:  $1\frac{1}{2}"=1'-0"$



SIDE VIEW

SCALE:  $1\frac{1}{2}"=1'-0"$

## WATERWORKS

PRODUCT SUPPORT  
800.927.2120  
WATERWORKS.COM

# AERO RETRO

Gooseneck Four Hole Kitchen Mixer with  
Metal Lever Handles in Chrome Complies  
with 0.25% WALC

**STYLE No.** RTKM04

**REFERENCE No.** Reference-Number

**ITEM No.** 07-39144-65330

**SPECIFICATIONS**  
PAGE 3 OF 3

### SPECIFICATIONS

Primary Material: Brass  
Handle Spread Maximum: 12"  
Handle Spread Minimum: 8"  
Inlet Connection Size: 1/2"  
Inlet Connection Type: Male with Supply Nut  
Inlet Supply Spread Maximum: 12"  
Inlet Supply Spread Minimum: 8"  
Maximum Deck Thickness: 1 7/8"  
Minimum Deck Thickness: 0"  
Maximum Water Pressure: 75 psi  
Minimum Water Pressure: 20 psi  
Fittings Hole Diameter: 1 3/8"  
Recommended Water Pressure: 45 psi  
Restricted Maximum Flow Rate: 2.2 gpm

### CARE INSTRUCTIONS

To clean the finish, wipe gently with a soft  
damp cloth and then with a soft dry towel.  
A mild soap solution can be used for daily  
cleaning.

### CODES AND STANDARDS

ASME A112.18.1 / CSA B125.1, NSF, IAPMO,  
State of MA

### FLOW RATE CURVE

### REQUIRED PLUMBING DETAILS

Below is a list of choices that must be  
made to complete your lavatory faucet.