

REGULATOR

RGPF02

Regulator Wall Mounted Articulated Pot Filler with Metal Wheel and Lever Handle



SHOWN IN REGULATOR WALL MOUNTED ARTICULATED POT FILLER WITH METAL WHEEL AND LEVER HANDLE | RGPF02

TECHNICAL DETAILS

Fittings Hole Diameter: 1 1/4"
Handle Turn Angle: Quarter Turn
Depth / Width: 20 11/16"
Height: 8 15/16"
Inlet Connection Size: 1/2"
Inlet Connection Type: Female NPT
Installation Type: Wall Mounted
Integrated Spray: N
Length: 3 13/16"
Spout Swivel: Y
Spray Included in Unit: N
Water Pressure Maximum: 85.0 psi
Water Pressure Minimum: 20.0 psi
Water Pressure Recommended: 45.0 psi

INSPIRATION

A play on industrial controls from the early 1900s, when pride was lavished on parts. Translated to handcrafted, fittings project rugged beauty through powerful, detailed shapes.

PRODUCT FEATURES

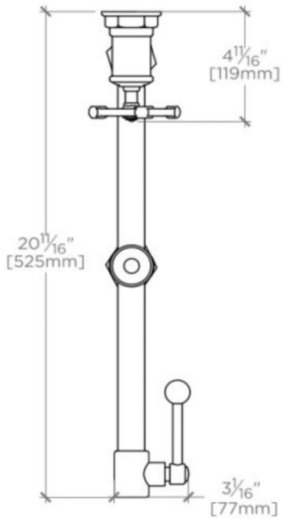
- Articulating Spout.
- Quarter turn ceramic cartridges.
- Cold water only, non-mixing valve.
- Dual valve wall mount pot filler.
- Front lever handle is a positive shut-off eliminating the need to reach over hot appliance to turn off water.

WATERWORKS

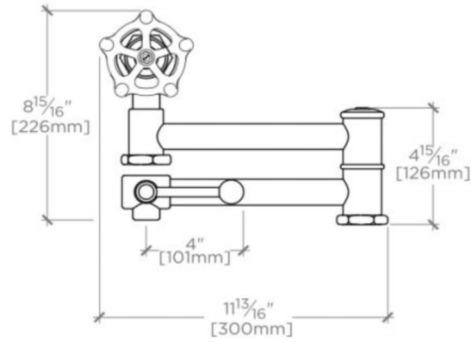
REGULATOR

RGPF02

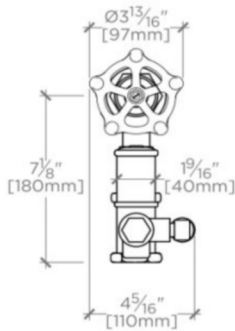
Regulator Wall Mounted Articulated Pot Filler with Metal Wheel and Lever Handle



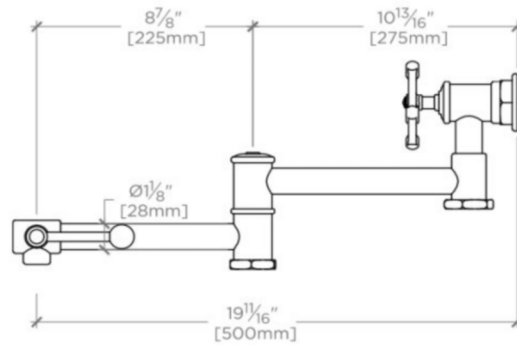
TOP VIEW SCALE: $1\frac{1}{2}$ "=1'-0"



FOLDED VIEW SCALE: $1\frac{1}{2}$ "=1'-0"



FRONT VIEW SCALE: $1\frac{1}{2}$ "=1'-0"



SIDE VIEW SCALE: $1\frac{1}{2}$ "=1'-0"