

WATERWORKS

WWCB03

Waterworks Recessed Metal Medicine Cabinet 24" x 4 7/16" x 30"



SHOWN IN WATERWORKS RECESSED METAL MEDICINE CABINET 24" X 4 7/16" X 30" | WWCB03

TECHNICAL DETAILS

Assembly / Configuration: Shelves are easily removed and/or replaced if broken
Hardware Primary Material: Brass
Hinge Primary Material: Brass
Depth / Width: 1"
Height: 30"
Length: 24"
Primary Material: Brass with Corian interior
Suggested Application: Bath

INSPIRATION

Our Waterworks collection encompasses a classic product range. From accessories to furniture, each authentic design is created with mechanical integrity and meticulous craftsmanship.

CODES & STANDARDS

Code # WWCB03:

PRODUCT FEATURES

24" x 1" x 30".

Made of Brass.

Corian Interior.

Wall Mounted.

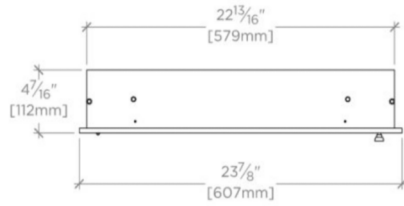
100 lb.

WATERWORKS

WATERWORKS

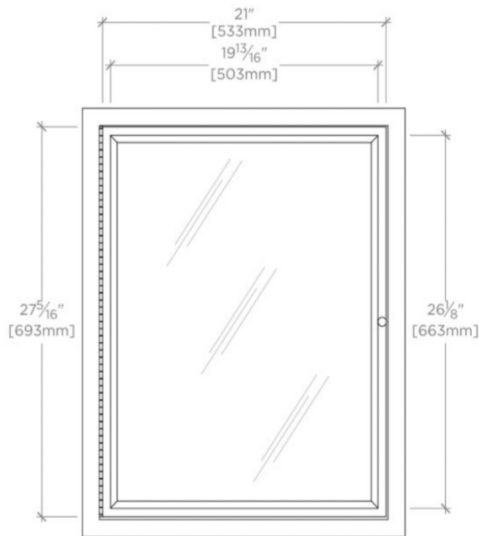
WWCB03

Waterworks Recessed Metal Medicine Cabinet 24" x 4 7/16" x 30"



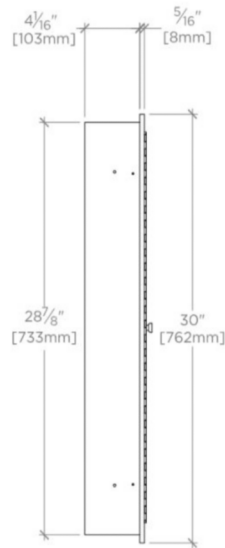
TOP VIEW

SCALE: 1"= 1'-0"



FRONT VIEW

SCALE: 1"= 1'-0"



SIDE VIEW

SCALE: 1"= 1'-0"