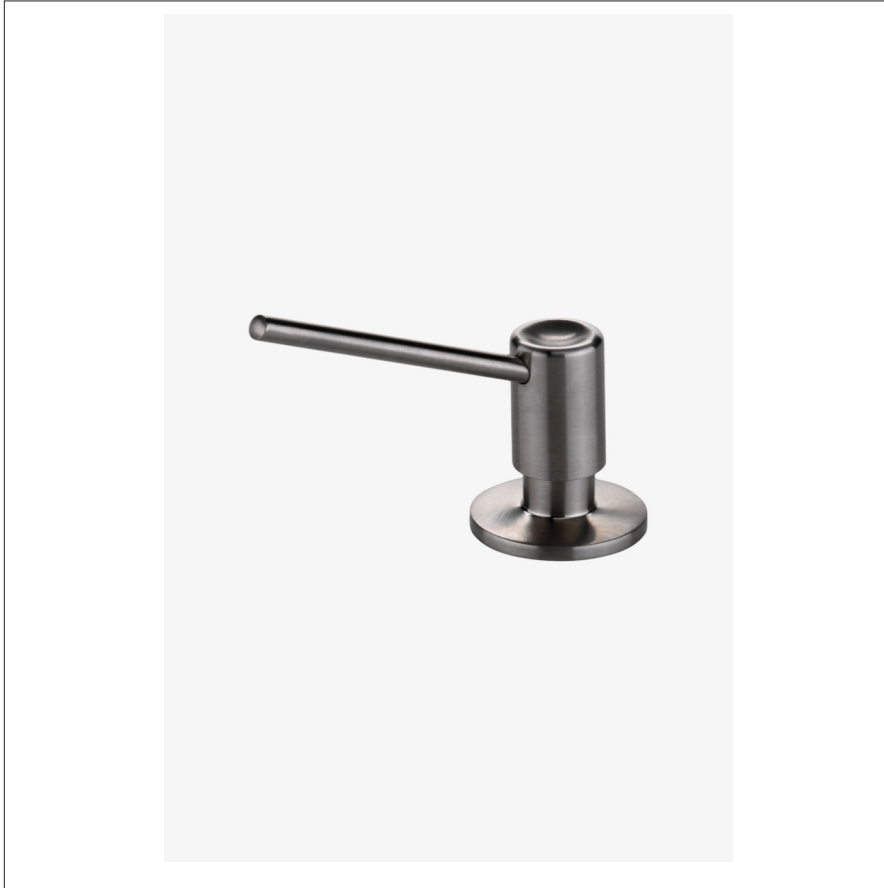


## UNIVERSAL

Universal Deck Mounted Soap Dispenser

## UNSD23



SHOWN IN UNIVERSAL DECK MOUNTED SOAP DISPENSER| UNSD23

### TECHNICAL DETAILS

Fittings Hole Diameter: 1 3/8"  
Depth / Width: 5 1/16"  
Height: 4 7/16"  
Length: 2 15/16"  
Suggested Application: All Applications

### INSPIRATION

Our Universal collection features timeless designs complementing any of our Waterworks. With a wide range of product, from fittings to accessories, Universal adds exquisite proportion and balance to any environment.

### PRODUCT FEATURES

Enhance everyday experiences with our universal soap pump, a great addition to any kitchen mixer

This item is stocked in a Chrome and Nickel finishes and additional made-to-order finish options are available in 12 weeks from purchase

Made of brass materials, the pump top lifts off for easy refilling

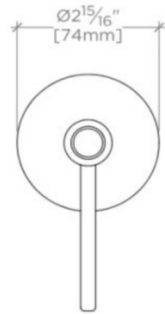
A simple and clean design to fit a variety of kitchen and bathroom environments

# WATERWORKS

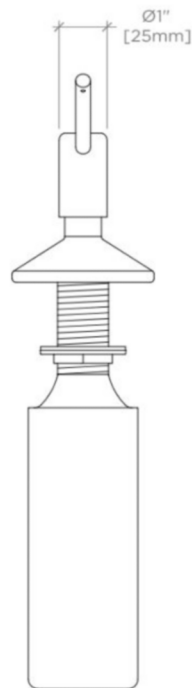
## UNIVERSAL

Universal Deck Mounted Soap Dispenser

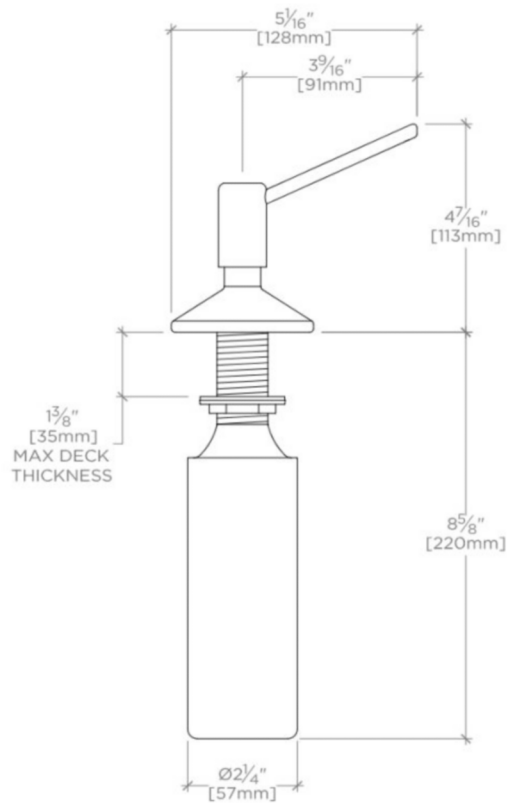
UNSD23



TOP VIEW SCALE: 3"=1'-0"



FRONT VIEW SCALE: 3"=1'-0"



SIDE VIEW SCALE: 3"=1'-0"