

OPUS

Opus 8" Shower Head, Arm and Flange

OP72SH



SHOWN IN OPUS 8" SHOWER HEAD, ARM AND FLANGE| OP5H72

TECHNICAL DETAILS

Adjustable versus Fixed Spray: Fixed Spray
Diameter of Head: 203 mm
Escutcheon Primary Material: Brass
Fittings Hole Diameter: 35 mm
Depth / Width: 203 mm
Height: 267 mm
Inlet Connection Size: 3/4"
Inlet Connection Type: Male G/BSPP
Integrated Diverter: N
Length: 203 mm
Pivot: N
Primary Material: Brass
Restricted Maximum Flow Rate: 9.5 liters/min
Suggested Application: Bath
Water Pressure Maximum: 6.0 bar
Water Pressure Minimum: 1.5 bar
Water Pressure Recommended: 3.0 bar

INSPIRATION

Opus incorporates a range of sophisticated aesthetic notes, with graceful curves that create a jewel-like refinement.

CODES & STANDARDS

Code # : ASME A112.18.1, CSA B125, IAPMO, State of MA

PRODUCT FEATURES

Brass material is used for trim and valve component parts.

The manufacturing process encompasses casting, turning, stamping, hand-fitting and hand polishing.

Eased curves and reflective forms carry the message of cleanliness and clarity.

An extensive range of fittings, fixture and accessory options for the lavatory, shower, bathtub.

Standard flow rate is 2.5gpm (9.5 L/min). Also available in high efficient flow options. Contact your sales associate or call 1 (800) 899-6757 for details.

OPUS

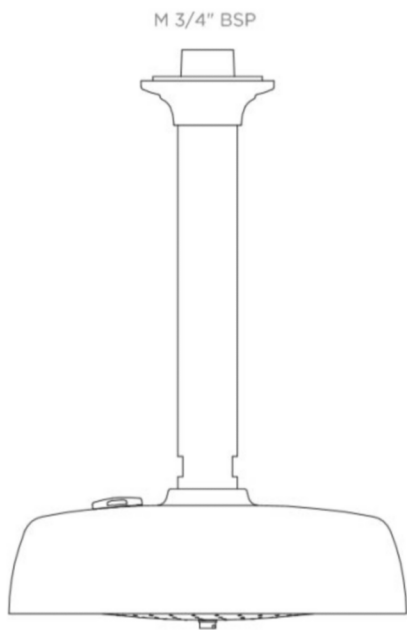
Opus 8" Shower Head, Arm and Flange

OP72SH



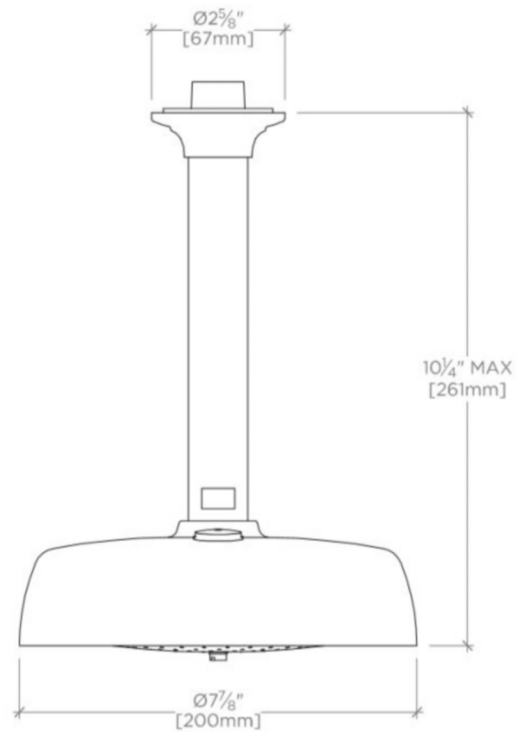
TOP VIEW

SCALE: 3"=1'-0"



FRONT VIEW

SCALE: 3"=1'-0"



SIDE VIEW

SCALE: 3"=1'-0"