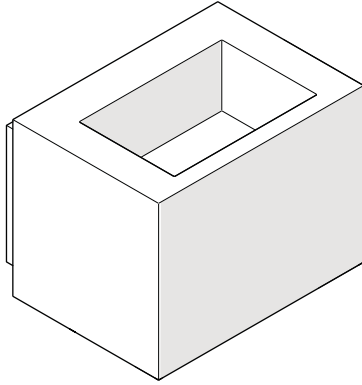
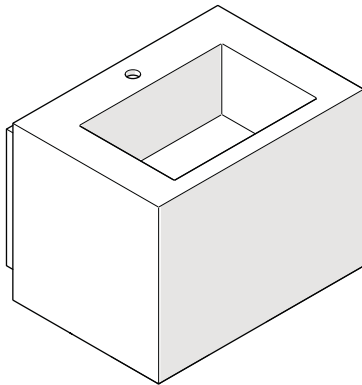


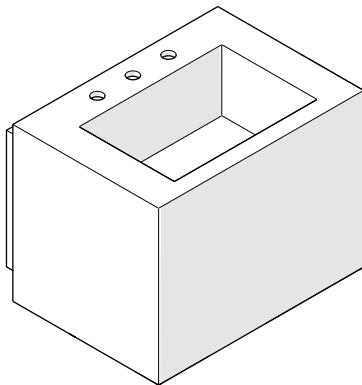
**STYLE No. PTLV10 (For Wall Mounted Faucet)**



**STYLE No. PTLV11 (For One Hole Faucet)**



**STYLE No. PTLV13 (For Three Hole Faucet)**



**SPECIFICATIONS:**

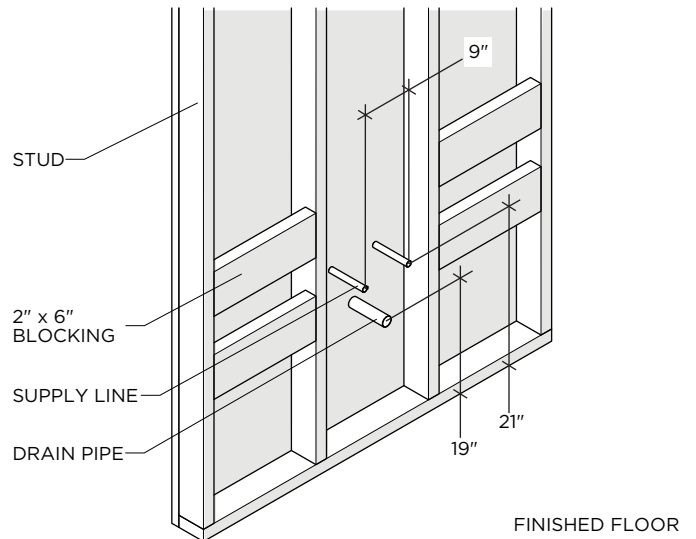
- Drain Hole Depth: 2" [51mm]
- Drain Hole Diameter: 1 3/4" [44mm]
- Fittings Hole Depth: 5/8" [16mm]
- Fittings Hole Diameter: 1 3/8" [35mm]
- Depth / Width: 20" [508mm]
- Height: 19 1/2" [495mm]
- Length: 26" [660mm]
- Overflow Opening: Yes
- Rough-in Supply Height Recommended: 21" [533mm]
- Rough-in Waste Height Recommended: 19" [483mm]

**IMPORTANT:**

- To ensure this product is installed properly, you must read and follow these guidelines.
- The owner/user of this product must keep this information for future reference.
- This product must be installed by a professional licensed contractor. Be sure your installation conforms to all federal, state, and local codes.
- This product must be on-site prior to rough-in. This allows the installer to visualize the installation and verify dimensions.
- Adequate blocking behind the finished wall to secure the sink is required.
- Inspect the product to ensure you have all the parts required for proper installation.
- The use of certain plumber's putty may stain stone or tile surfaces.

**ROUGH-IN:**

- **IMPORTANT:** 2x6 blocking to secure the sink to the wall is mandatory.
- See Figure - 01 for Steps 01 - 03.



**FIGURE - 01**

1. Install the water supply lines at the recommended height of 21" from the finished floor; PTLV11 and PTLV13 only.  
**NOTES:** The fittings holes on the PTLV13 have a 9" spread. Place the supply lines 9" apart for an easier installation.
2. Install the drain pipe at the recommended height of 19" from the finished floor.

These guidelines have been prepared for the professional contractor to aid in the installation of: .25 LITHIC RECTANGULAR WALL MOUNTED SINGLE SINK FOR WALL MOUNTED FAUCETS (STYLE No. PTLV10), FOR ONE HOLE FAUCETS (STYLE No. PTLV11), & FOR THREE HOLE FAUCETS (STYLE No. PTLV13). All dimensions are based on original specification and are subject to change and variation. Please consult your Design Associate for current specifications.

3. Install 2" x 6" BLOCKING inside the wall in the proper locations, depending on the desired height of the SINK. Ensure all the LAG SCREWS will be securely threaded either to the STUD or BLOCKING.
4. Install the finished wall and supply valves (not supplied)

**IMPORTANT:** Ensure the supply valves will not contact the SINK when the valves are fully open.

**EXTENDED MOUNT INSTALLATION:**

5. Dry fit the MOUNTING BRACKETS to the finished wall and mark the location of the mounting holes. Make sure to hold the BRACKETS level.

Dimension	Measurement
A	22-1/2" [572mm]
B	10-1/4" [260mm]
C	4-3/16" [107mm]

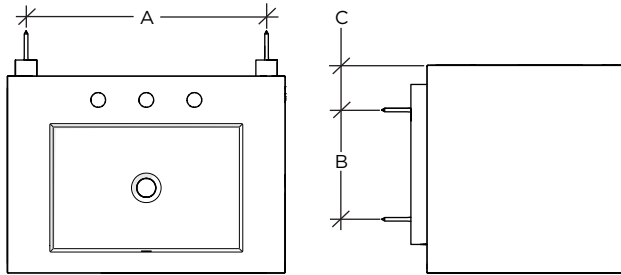


FIGURE - 02

6. Drill pilot holes for the 3/8" LAG SCREWS at the marks made in the previous Step.
7. Place the BRACKETS against the finished wall and secure them using the LAG SCREWS and WASHERS provided as shown below.

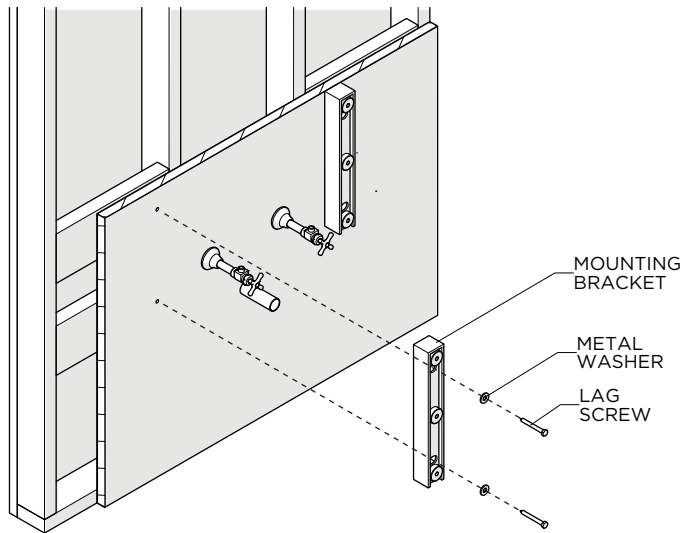


FIGURE - 03

8. Verify that the BRACKETS are level. Re-adjust or shim (not included) if necessary.
9. Attach the SUPPORT RAILS to the BRACKETS using the SCREWS and WASHERS provided.

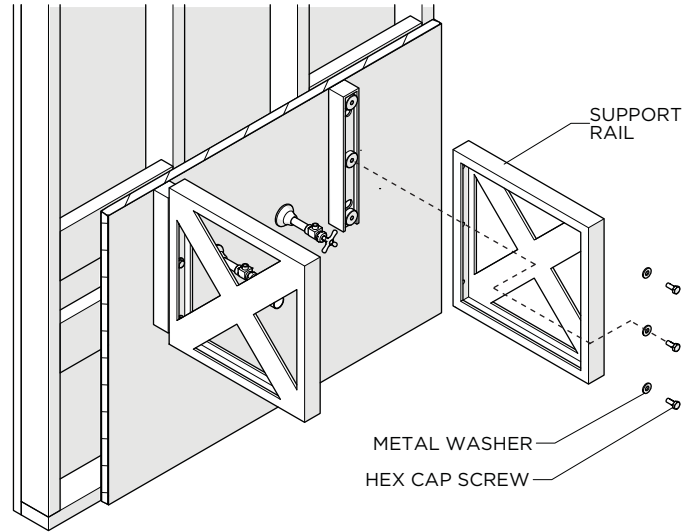


FIGURE - 04

10. Verify that the RAILS are level. Re-adjust or shim (not included) if necessary.
11. Dry fit the SINK onto the RAILS and verify that it is level and well supported. Re-adjust the RAILS or BRACKETS if necessary.
12. Remove the SINK and install faucet fittings (if applicable) and the drain to the SINK.
13. Apply adhesive silicone to the top and front surfaces of the RAILS as shown below.

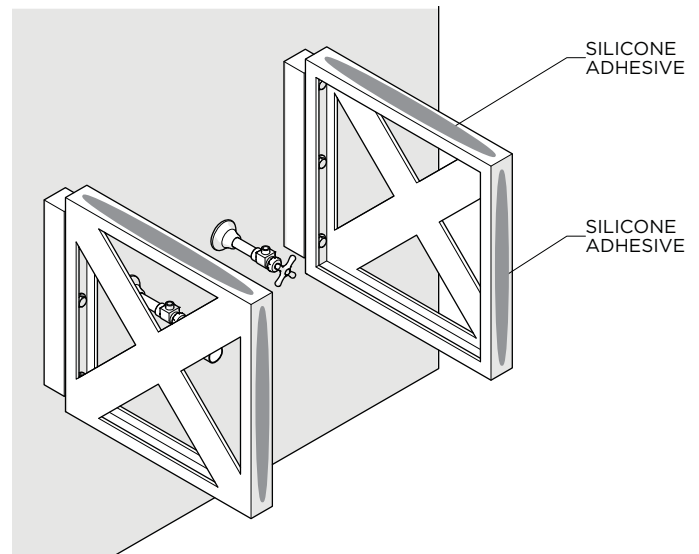


FIGURE - 05

These guidelines have been prepared for the professional contractor to aid in the installation of: .25 LITHIC RECTANGULAR WALL MOUNTED SINGLE SINK FOR WALL MOUNTED FAUCETS (STYLE No. PTLV10), FOR ONE HOLE FAUCETS (STYLE No. PTLV11), & FOR THREE HOLE FAUCETS (STYLE No. PTLV13). All dimensions are based on original specification and are subject to change and variation. Please consult your Design Associate for current specifications.

WATERWORKS

14. Place the SINK on top of the RAILS and push it against the front of the RAILS while making sure the silicone does not get wiped off as shown below.

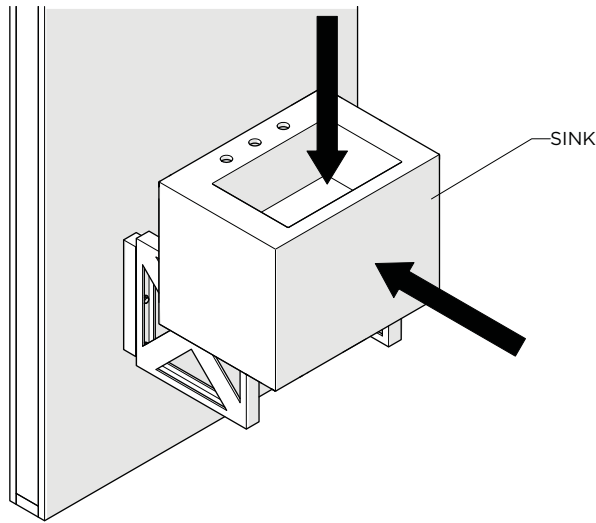


FIGURE - 06

15. Verify the SINK is level. Re-adjust or shim (not included) if necessary and proceed to Step 26.

**FLUSH MOUNT INSTALLATION:**

16. Dry fit the SUPPORT RAILS to the finished wall and mark the location of the mounting holes. Make sure to hold the RAILS level.

Dimension	Measurement
A	22-1/2" [572mm]
B	6-7/16" [163mm]
C	2-7/8" [73mm]

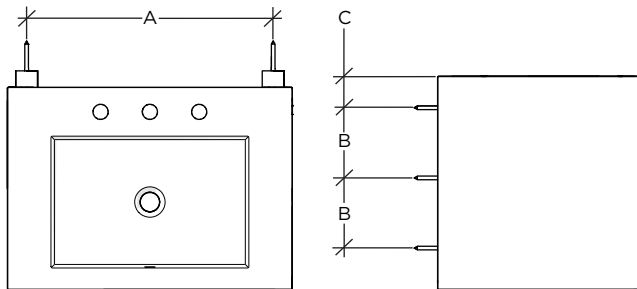


FIGURE - 07

17. Drill pilot holes for the 3/8" LAG SCREWS at the marks made in the previous Step.
18. Place the RAILS against the finished wall and secure them using the LAG SCREWS and WASHERS provided as shown in Figure - 08.

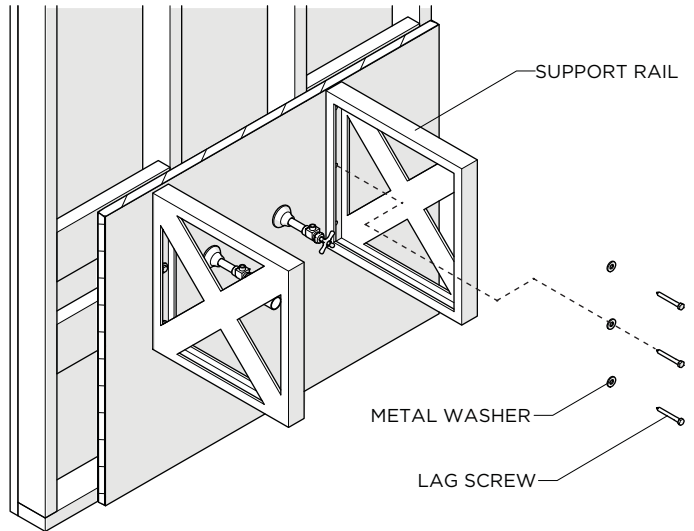


FIGURE-08

19. Verify that the RAILS are level. Re-adjust or shim (not included) if necessary.
20. Dry fit the SINK onto the RAILS and verify that it is level, well supported, and makes contact with the finished wall. Re-adjust the RAILS if necessary.
21. Remove the SINK and install faucet fittings (if applicable) and the drain to the SINK.
22. Apply adhesive silicone to the top surface of the RAILS as shown below.

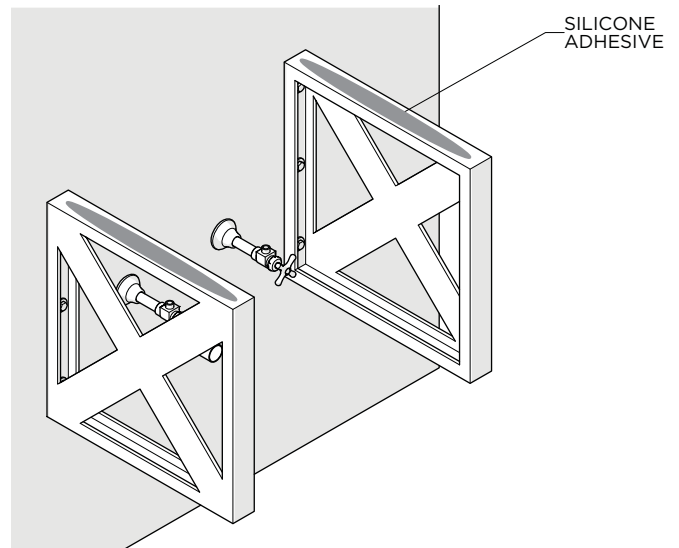


FIGURE-09

23. Apply silicone adhesive to the back of the SINK then place the SINK on top of the RAILS and push it against the finished wall while making sure the silicone does not get wiped off the rails.

These guidelines have been prepared for the professional contractor to aid in the installation of: .25 LITHIC RECTANGULAR WALL MOUNTED SINGLE SINK FOR WALL MOUNTED FAUCETS (STYLE No. PTLV10), FOR ONE HOLE FAUCETS (STYLE No. PTLV11), & FOR THREE HOLE FAUCETS (STYLE No. PTLV13). All dimensions are based on original specification and are subject to change and variation. Please consult your Design Associate for current specifications.

24. Wipe away any excess silicone around the SINK.
25. Verify the SINK is level. Re-adjust or shim (not included) if necessary.

## **FINISH THE INSTALLATION**

26. Make final faucet (if applicable) and drain connections.

**NOTE:** The use of certain plumber's putty may stain stone or tile surfaces.

27. Turn on the water and operate the drain and faucet fittings (not supplied) to ensure proper operation.
  28. Check all connections for leaks.
  29. If desired, a bead of caulk or a clear silicone may be applied where the MOUNTING BRACKETS or SINK contacts the finished wall.
- If further assistance is required, please contact Product Support at 1-800-927-2120 Monday through Friday, 8am - 7pm EST.

These guidelines have been prepared for the professional contractor to aid in the installation of:  
.25 LITHIC RECTANGULAR WALL MOUNTED SINGLE SINK FOR WALL MOUNTED FAUCETS (STYLE No. PTLV10), FOR ONE HOLE FAUCETS (STYLE No. PTLV11), & FOR THREE HOLE FAUCETS (STYLE No. PTLV13).  
All dimensions are based on original specification and are subject to change and variation.  
Please consult your Design Associate for current specifications.

W A T E R W O R K S