

## KEY LIGHTS

KELT01

Key Lights Wall Mounted Single Arm Sconce



SHOWN IN IRON WITH CYLINDER GLASS SHADE

### TECHNICAL DETAILS

Bulb Base Size: E12  
Bulb Type: LED Candelabra  
Depth / Width: 4 3/4"  
Height: 9 1/4"  
Interior / Exterior Application: Interior Only  
Junction Box Orientation: Horizontal  
Length: 3 5/8"  
Safety Warnings: Do not exceed max wattage (60).  
Shade Material: Glass  
Shade Shape: Cylinder  
Suggested Application: All Applications  
Voltage: 120V  
Wet / Dry: Damp or Dry

### INSPIRATION

Early 20th century French hand wrought iron andirons were the inspiration for the design and scale of the Key sconces. The hand blown glass shades were designed to resemble pillar candles. The Key Lights are hand crafted by California artisans.

### CODES & STANDARDS

UL

### PRODUCT FEATURES

3 5/8 x 4 3/4 x 9 1/4

Uses one E12 LED Candelabra bulbs

UL-listed for use in damp environments

This item is stocked in an Iron finish and is available to ship in 2-3 business days (subject to availability) from Waterworks

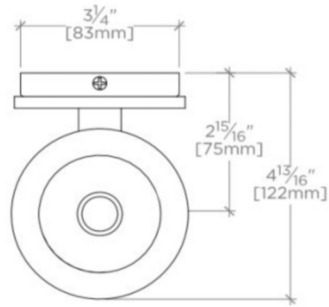
### PRODUCT (NOTES)

Do not exceed max wattage.

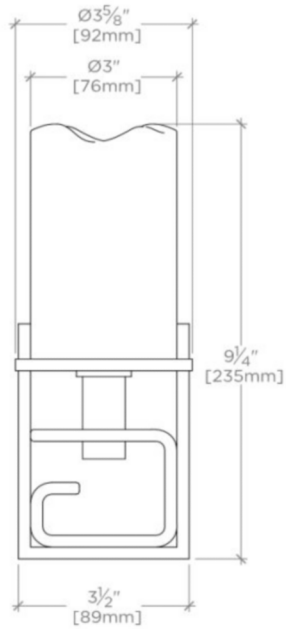
## KEY LIGHTS

KELT01

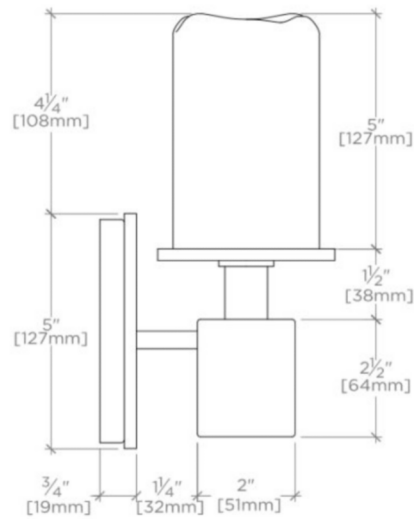
Key Lights Wall Mounted Single Arm Sconce



TOP VIEW SCALE: 3"=1'-0"



FRONT VIEW SCALE: 3"=1'-0"



SIDE VIEW SCALE: 3"=1'-0"