

OPUS

Opus Handshower On Hook with Metal Handle

OP25HS



SHOWN IN OPUS HANDSHOWER ON HOOK WITH METAL HANDLE| OPHS25

TECHNICAL DETAILS

Adjustable versus Fixed Spray: Fixed Spray
Diameter of Head: 54 mm
Escutcheon Primary Material: brass
Fittings Hole Diameter: 25 mm
Handshower / Spray Hose Length: 1.5 m
Depth / Width: 102 mm
Height: 216 mm
Inlet Connection Size: 1/2"
Inlet Connection Type: Male G/BSPP
Installation Type: Wall Mounted
Integrated Diverter: N
Length: 102 mm
Pivot: N
Primary Material: Brass
Restricted Maximum Flow Rate: 9.5 liters/min
Suggested Application: Bath

INSPIRATION

Opus incorporates a range of sophisticated aesthetic notes, with graceful curves that create a jewel-like refinement.

CODES & STANDARDS

Code # : ASME A112.18.1, CSA B125, IAPMO, State of MA

PRODUCT FEATURES

Brass material is used for trim and valve component parts.

The manufacturing process encompasses casting, turning, stamping, hand-fitting and hand polishing.

Eased curves and reflective forms carry the message of cleanliness and clarity.

An extensive range of fittings, fixture and accessory options for the lavatory, shower, bathtub.

Standard flow rate is 2.5gpm (9.5 L/min). Also available in high efficient flow options. Contact your sales associate or call 1 (800) 899-6757 for details.

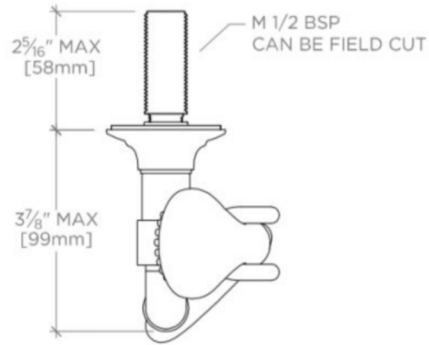
WATERWORKS

OPUS

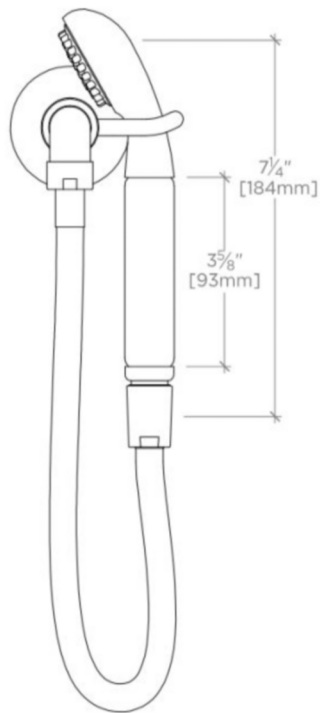
OP25HS

Opus Handshower On Hook with Metal Handle

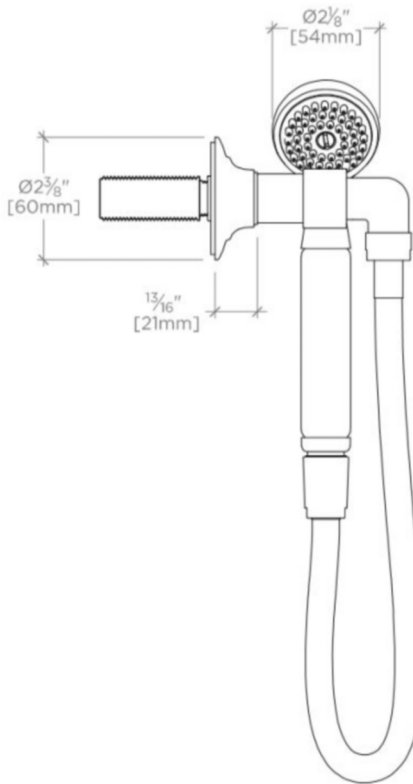
ADAPTER(S) PACKAGED SEPARATELY		
ADAPTER	DESCRIPTION	QTY
UNUK07	$\frac{3}{8}$ " NPT Male x $\frac{1}{2}$ " Male BSP	1



TOP VIEW SCALE: 3"=1'-0"



FRONT VIEW SCALE: 3"=1'-0"



SIDE VIEW SCALE: 3"=1'-0"