

UNIVERSAL

UNWS24

Universal Metal Square Two Leg Single Washstand 28" x 19 15/16"
x 31 13/16"



SHOWN IN NICKEL

TECHNICAL DETAILS

Adjustable Levelers / Feet: N
Horizontal Rail Material: Metal
Depth / Width: 19 15/16"
Height: 31 13/16"
Installation Type: Wall Mounted
Leg Material: Metal
Length: 28"
Number of Holes: Zero Holes
Number of Legs: Two
Outer Rim Shape: Rectangular
Primary Material: 20 SWG Brass
Rough-in Supply Height Recommended: 21"
Rough-in Waste Height Recommended: 19"
Sink Visibility: Y
Storage Capacity: 0.0 cubic_foot
Suggested Application: Bath
Top Attachment Method: Adhesive silicone is recommended for attaching the legs to the slab top.

INSPIRATION

Our Universal collection features timeless designs complementing any of our Waterworks. With a wide range of product, from fittings to accessories, Universal adds exquisite proportion and balance to any environment.

CODES & STANDARDS

Code # WWWS24:

PRODUCT FEATURES

Crafted in England this washstand draws on a historic form from the early 1900's and an updated aesthetic choice.

This item is stocked in a Chrome and Nickel finishes and additional made-to-order finish options are available in 12 weeks from purchase

Made of brass materials, dimensions can be adjusted as part of our made-to-order program.

A distinct category and unique to the bath, washstands and pedestals breathe a sense of openness and light into the room.

Slab countertop and sink sold separately from washstand; custom options available

PRODUCT (NOTES)

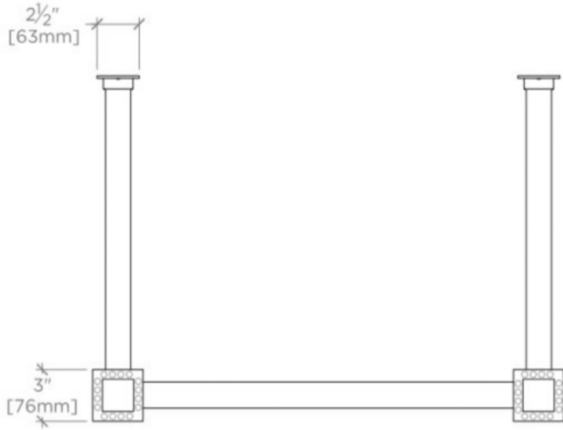
Slab countertop and sink sold separately

WATERWORKS

UNIVERSAL

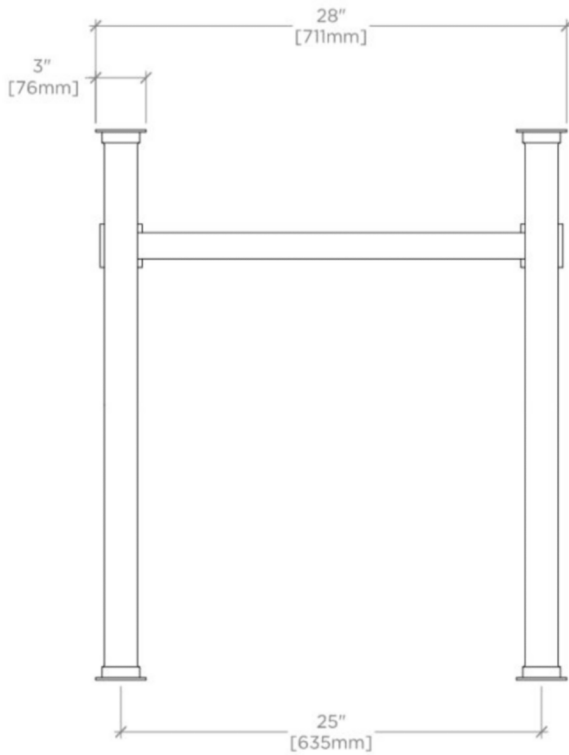
UNWS24

Universal Metal Square Two Leg Single Washstand 28" x 19 15/16"
x 31 13/16"



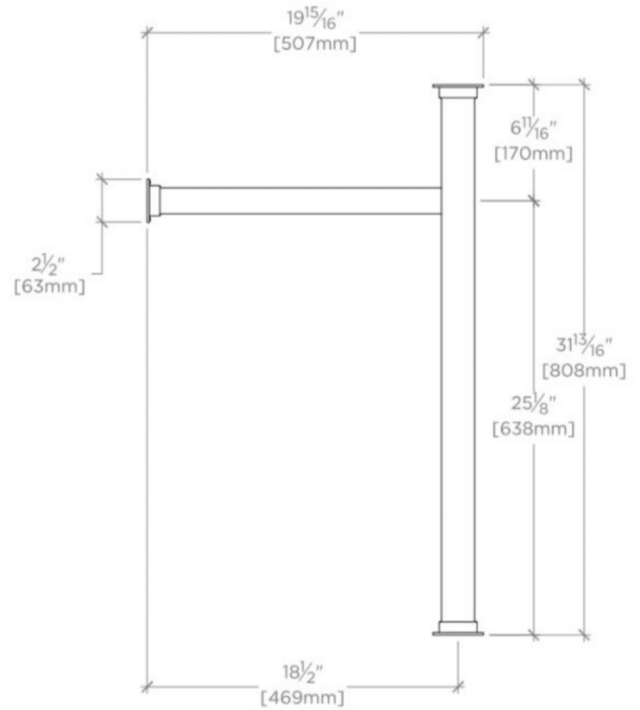
TOP VIEW

SCALE: 1"=1'-0"



FRONT VIEW

SCALE: 1"=1'-0"



SIDE VIEW

SCALE: 1"=1'-0"