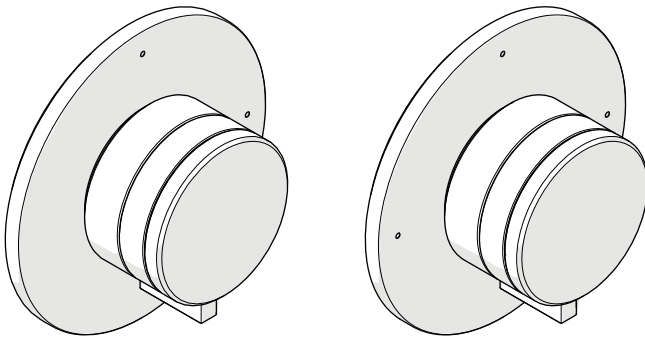


STYLE No. DB2P01
Two Way for
Pressure Balance

STYLE No. DB3P01
Three Way for
Pressure Balance



SPECIFICATIONS:

Control Valve Rough-in Depth Maximum: 5-5/8" [143mm]
Control Valve Rough-in Depth Minimum: 3-1/8" [79mm]
Fitting Hole Diameter: Ø2-1/2" [64mm]

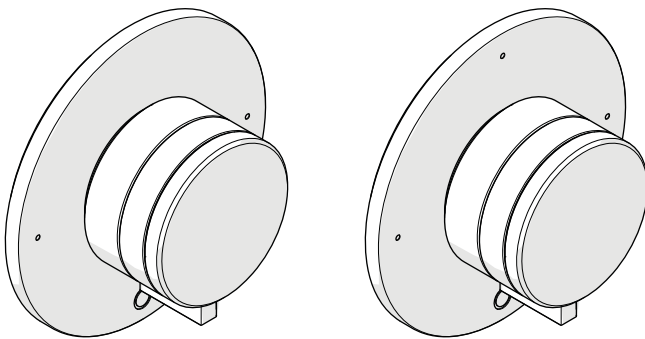
REQUIRED PLUMBING DETAILS:

Universal Two Way Diverter Valve without Shutoff for
Pressure Balance Shower Systems
STYLE No. GUDV23 (DB2P01) or,

Universal Three Way Diverter Valve without Shutoff for
Pressure Balance Shower Systems
STYLE No. GUDV65 (DB3P01)

STYLE No. DB2T01
Two Way for
Thermostatic

STYLE No. DB3T01
Three Way for
Thermostatic



SPECIFICATIONS:

Control Valve Rough-in Depth Maximum: 5-5/8" [143mm]
Control Valve Rough-in Depth Minimum: 3-1/8" [79mm]
Fitting Hole Diameter: Ø2-1/2" [64mm]

REQUIRED PLUMBING DETAILS:

Universal Two Way Diverter Valve with Shutoff for
Thermostatic Shower Systems
STYLE No. GUDV14 (DB2T01) or,

Universal Three Way Diverter Valve with Shutoff for
Thermostatic Shower Systems
STYLE No. GUDV66 (DB3T01)

IMPORTANT:

- To ensure this product is installed properly, you must read and follow these guidelines.
- The owner/user of this product must keep this information for future reference.
- This product must be installed by a professional licensed contractor and must be onsite prior to rough-in to allow the installer to visualize the installation.
- Be sure your installation conforms to federal state, and local codes. In the State of Massachusetts, all installations must comply with the rules and regulations set forth within 248 CMR.
- This product is intended to work with a Waterworks Universal Diverter Valve (SOLD SEPARATELY). Refer to the Installation Guidelines provided with the VALVE for complete rough-in installation details.
- Inspect this product to ensure you have all the parts required for proper installation. Use only a strap wrench or protected/smooth-jaw wrench on any finished surface.
- The use of certain plumber's putty may stain stone or tile surfaces.

TRIM INSTALLATION:

- **WARNING:** If the VALVE is roughed in too shallow, the TRIM cannot be installed correctly.
1. Remove the TILE GUARD from the VALVE.
- See Figure - 01 for Steps 2 - 4.

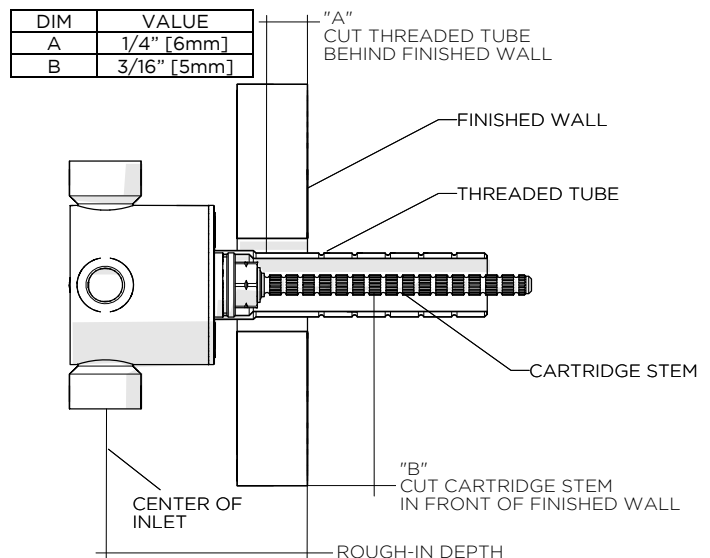


FIGURE - 01

These guidelines have been prepared for the professional contractor to aid in the installation of:
DECIBEL TWO & THREE WAY DIVERTER VALVE TRIM FOR PRESSURE BALANCE WITH MODERN DOT AND METAL
KNOB HANDLE (STYLE No. DB2P01, DB3P01) & DECIBEL TWO & THREE WAY DIVERTER VALVE TRIM FOR
THERMOSTATIC WITH MODERN DOT AND METAL KNOB HANDLE (STYLE No. DB2T01, DB3T01).
All dimensions are based on original specification and are subject to change and variation.
Please consult your Design Associate for current specifications.

2. Mark the THREADED TUBE as shown then remove and cut the TUBE.
3. Mark the CARTRIDGE STEM as shown then cut the STEM.
4. Thread the TUBE back onto the CARTRIDGE.

➤ See Figure - 02 for steps 5 - 6.

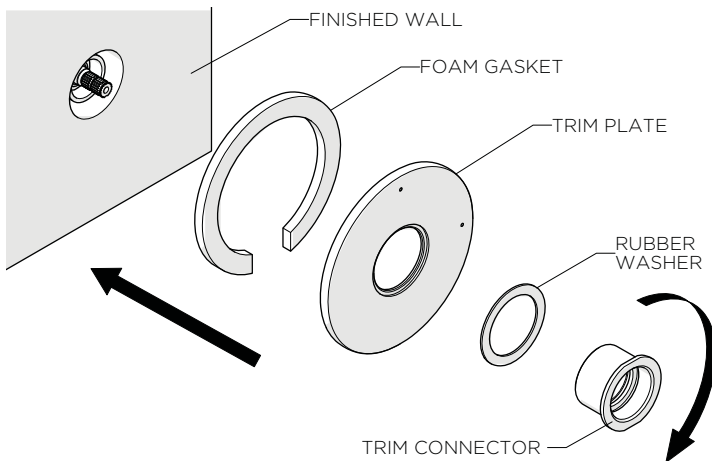


FIGURE - 02

5. Hold the TRIM PLATE against the finished wall in the desired orientation making sure the FOAM GASKET is securely attached.

NOTE: If desired, a bead of caulk or a clear silicone may be applied where the TRIM PLATE contacts the finished wall. The use of certain plumber's putty may stain stone or tile surfaces.

6. Thread the TRIM CONNECTOR onto the THREADED TUBE and securely tighten making sure to include the RUBBER WASHER provided.

➤ See Figure - 03 for steps 7 - 9.

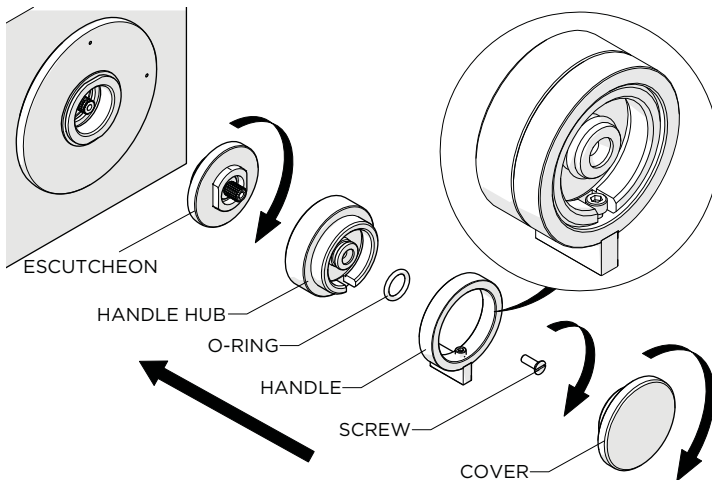


FIGURE - 03

7. Thread the ESCUTCHEON into the TRIM CONNECTOR. Make sure the HANDLE STEM aligns properly with the CARTRIDGE STEM and the ESCUTCHEON is fully threaded down. Securely tighten using a 20mm wrench.
8. Place the HANDLE HUB onto the HANDLE STEM in the desired orientation then thread the SCREW into the HUB and securely tighten.
9. Place the HANDLE over the HUB making sure it fits properly inside the notches portion then thread the COVER into the HUB and securely tighten.

INSPECT INSTALLATION:

10. Turn on the water supply and operate the HANDLE to ensure it is functioning properly.

➤ If further assistance is required, please contact Product Support at 1-800-927-2120 Monday through Friday, 8am - 6pm EST.

➤ Refer to the separate Service Parts Documents for available replacement parts.

These guidelines have been prepared for the professional contractor to aid in the installation of:
DECIBEL TWO & THREE WAY DIVERTER VALVE TRIM FOR PRESSURE BALANCE WITH MODERN DOT AND METAL
KNOB HANDLE (STYLE No. DB2P01, DB3P01) & DECIBEL TWO & THREE WAY DIVERTER VALVE TRIM FOR
THERMOSTATIC WITH MODERN DOT AND METAL KNOB HANDLE (STYLE No. DB2T01, DB3T01).
All dimensions are based on original specification and are subject to change and variation.
Please consult your Design Associate for current specifications.

**WATERWORKS
STUDIO**