

## JULIA

JULS08

Julia High Profile One Hole Deck Mounted Lavatory Faucet with Metal Cross Handles



SHOWN IN JULIA HIGH PROFILE ONE HOLE DECK MOUNTED LAVATORY FAUCET WITH METAL CROSS HANDLES| JULS08

### TECHNICAL DETAILS

ADA Compliance: Yes  
 Adjustable versus Fixed Spray: Fixed Spray  
 Deck Thickness Maximum: 1 1/4"  
 Deck Thickness Minimum: 0"  
 Drain Assembly Materials: Brass  
 Drain Depth Maximum: 1 3/4"  
 Drain Hole Diameter: 1 3/4"  
 Drain Style: Pop-up  
 Escutcheon Primary Material: Brass  
 Fittings Hole Diameter: 1 1/4"  
 Flow Restriction Options: 1.0 , 1.2 , 1.5 , 1.75, 2.2  
 Handle Spread Maximum: 5 1/2"  
 Handle Spread Minimum: 5 1/2"  
 Handle Turn Angle: Quarter Turn  
 Index Color / Finish and Material: White Porcelain  
 Depth / Width: 7 5/8"  
 Drain Depth Minimum: 1 3/8"  
 Height: 6 1/2"  
 Index Marking: Hot/Cold  
 Inlet Connection Size: 3/8"  
 Inlet Connection Type: O.D. Supply Tubing  
 Installation Type: Deck Mounted  
 Length: 7 1/2"  
 Number of Handles: Two  
 Number of Holes: One Hole  
 Primary Material: Brass  
 Spout Swivel: Y  
 Suggested Application: Bath  
 Valve Material: Ceramic  
 Water Pressure Maximum: 85.0 psi  
 Water Pressure Minimum: 20.0 psi  
 Water Pressure Recommended: 45.0 psi

### INSPIRATION

An interpretation of 1920s French country, Julia speaks to decoration and intricate design displayed through beautifully composed turnings. These details embody the robust, signature high profile spout enabling Julia to transition fluidly from informal to formal environments.

### CODES & STANDARDS

Code # JULS08: ASME A112.18.1 / CSA B125.1, ASME A112.18.2 / CSA B125.2, NSF, CEC, IAPMO, State of MA

### PRODUCT FEATURES

Features signature detail of the graceful, high profile swivel spout.  
 Cross handles feature hot and cold markings on white porcelain indices.  
 Standard flow rate is 2.2gpm (8.3 L/min) and State of California requires 1.2gpm(4.5 L/min). Also available in other flow options. Contact a sales associate for details.

### CERTIFICATIONS



### PRODUCT (NOTES)

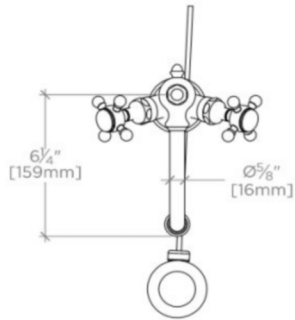
Sold with European style drain; USA style drain sold separately for use with non-Waterworks sinks.

# WATERWORKS

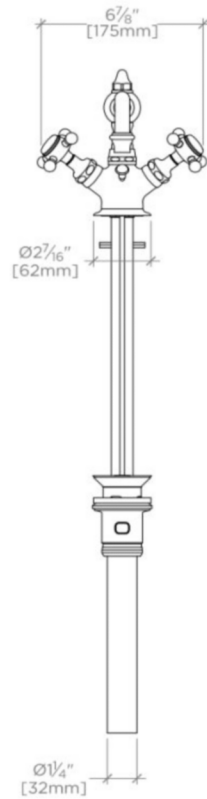
## JULIA

JULS08

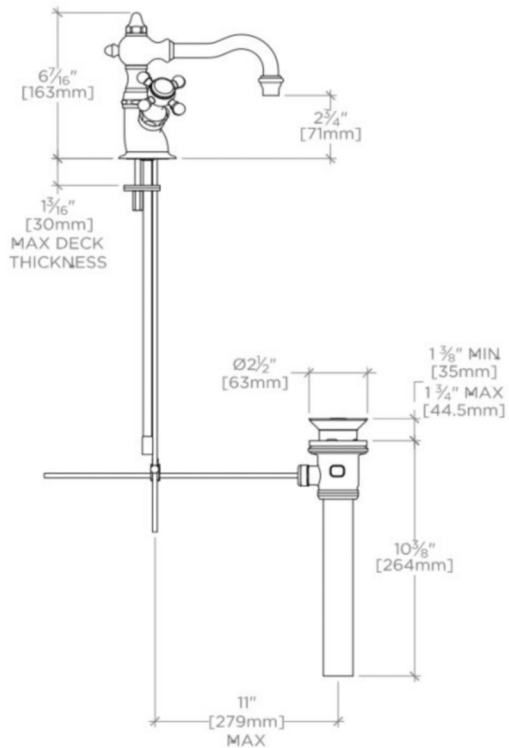
Julia High Profile One Hole Deck Mounted Lavatory Faucet with Metal Cross Handles



TOP VIEW SCALE: 1 1/2"=1'-0"



FRONT VIEW SCALE: 1 1/2"=1'-0"



SIDE VIEW SCALE: 1 1/2"=1'-0"