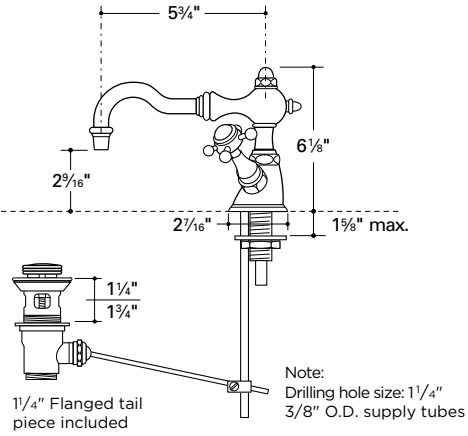


JULS 08



INSTALLATION GUIDELINES

- Use only a protected, smooth-jawed, or strap wrench on any finished surface.
- If possible, install this faucet assembly on the lavatory before setting.
- DO NOT use putty on fitting. Upper and lower washers are provided.
- The upper waste assembly can be set with putty.
- Adjust the vertical pop-up rod so that the knob rests 1/32" above the spout when waste is in the full open position. If rod hits the trap, cut excess.
- Two couplings provided (3/8" O.D.) for water supply connection.
- Check for leaks.
- After installation, unscrew and remove the aerator assembly. Carefully open the hot and cold valves fully to flush out any debris in the supply lines. Once the lines have been flushed, close the valves and reinstall the aerator assembly.
- To service the valve stem: Pull out the index assembly (held in place by friction O-ring), exposing the screw for the handle. The cover should be hand tight.
- If further assistance is required, please contact Product Support at 1-800-927-2120 (8am-7pm EST).

These guidelines have been prepared for the professional contractor to aid in the installation of:
JULIA LAVATORY FAUCET (JULS 08)

All dimensions are based on original specifications and are subject to change and variation. Please consult your Design Associate for current specifications.