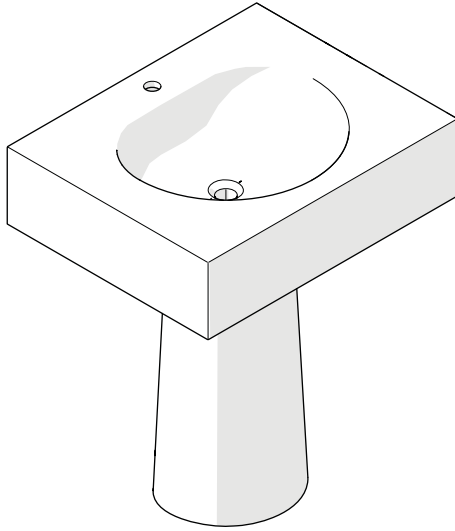
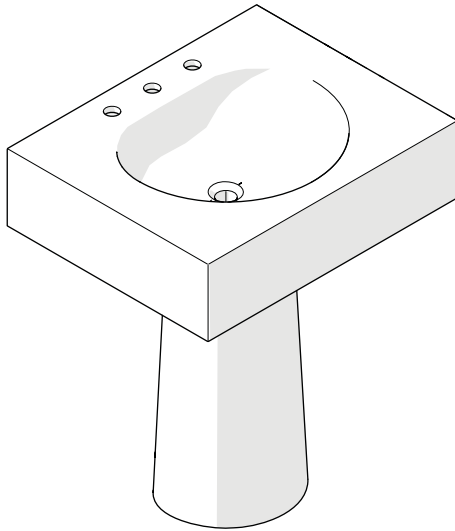


STYLE No. FMPL11 (For One Hole Faucet)**STYLE No.** FMPL13 (For Three Hole Faucet)**SPECIFICATIONS:**

Assembly / Configuration: Two Piece
 Drain Hole Depth: 2" [51mm]
 Drain Hole Diameter: 1 3/4" [44mm]
 Fittings Hole Depth: 5/8" [16mm]
 Fittings Hole Diameter: 1 3/8" [35mm]
 Depth / Width: 22 1/2" [572mm]
 Height: 34" [864mm]
 Length: 28" [711mm]
 Overflow Opening: Yes
 Rough-in Supply Height Recommended: 21" [533mm]
 Rough-in Waste Height Recommended: 19" [483mm]

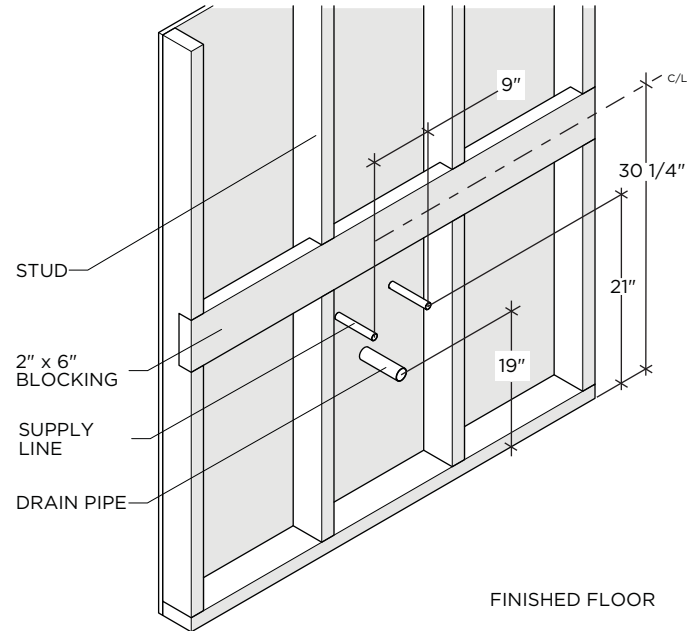
IMPORTANT:

- To ensure this product is installed properly, you must read and follow these guidelines.

- The owner/user of this product must keep this information for future reference.
- This product must be installed by a professional licensed contractor. Be sure your installation conforms to all federal, state, and local codes.
- This product must be on-site prior to rough-in. This allows the installer to visualize the installation and verify dimensions.
- Adequate blocking behind the finished wall to secure the sink is required.
- Inspect the product to ensure you have all the parts required for proper installation.
- The use of certain plumber's putty may stain stone or tile surfaces.

ROUGH-IN:

- See Figure - 01 for Steps 01 - 03.

**FIGURE - 01**

1. Install the water supply lines at the recommended height of 21" from the finished floor.

NOTE: The fitting holes on the FMPL13 have a 9" spread. Place the supply lines 9" apart for an easier installation.
2. Install the drain pipe at the recommended height of 19" from the finished floor.
3. Install a piece of 2" x 6" wood to serve as blocking material to support the sink. It should be a minimum of 36" in length. The centerline of the blocking should be 30 1/4" from the finished floor.

These guidelines have been prepared for the professional contractor to aid in the installation of:
 FORMWORK LITHIC SINGLE PEDESTAL SINK FOR ONE HOLE FAUCET (STYLE No. FMPL11) AND THREE HOLE
 FAUCET (STYLE No. FMPL13) 28" x 22 1/2" x 34".
 All dimensions are based on original specification and are subject to change and variation.
 Please consult your Design Associate for current specifications.

WATERWORKS

4. Install the finished wall and supply valves (not supplied).

IMPORTANT: Ensure the supply valves do not project more than 6 1/2" from the finished wall when open.

INSTALLATION:

5. Place the PEDESTAL on the finished floor so that it is centered with the drain pipe, the opening is towards the finished wall, and the back of the PEDESTAL is 6 1/2" from the finished wall.

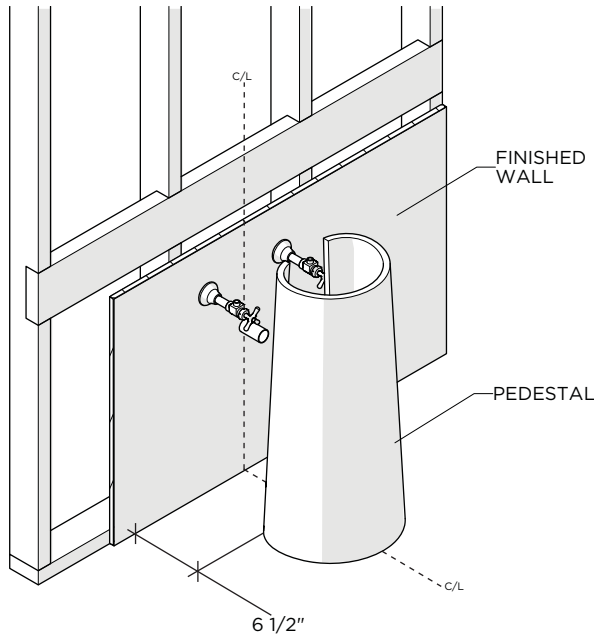


FIGURE - 02

6. Ensure that the supply valves (not supplied) are able to fully open and do not contact the PEDESTAL.

7. Dry fit the SINK onto the PEDESTAL making sure the SINK is level, makes contact with the finished wall, and does not rock or wobble. If needed, adjust the PEDESTAL and/or add shims (not included) between the SINK and PEDESTAL.

8. Mark the location of the mounting holes on the SINK as shown below.

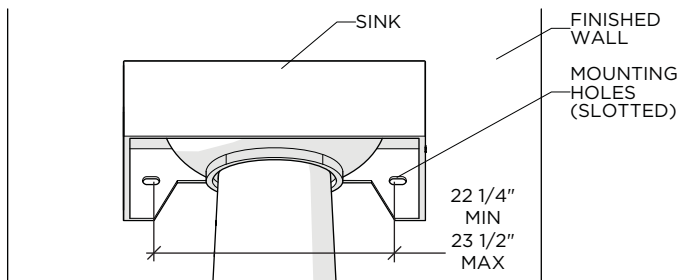


FIGURE - 03

9. Move the SINK and PEDESTAL then install the HANGER BOLTS provided using the marks made in the previous step. The BOLTS should project 2 1/4" from the finished wall as shown below.

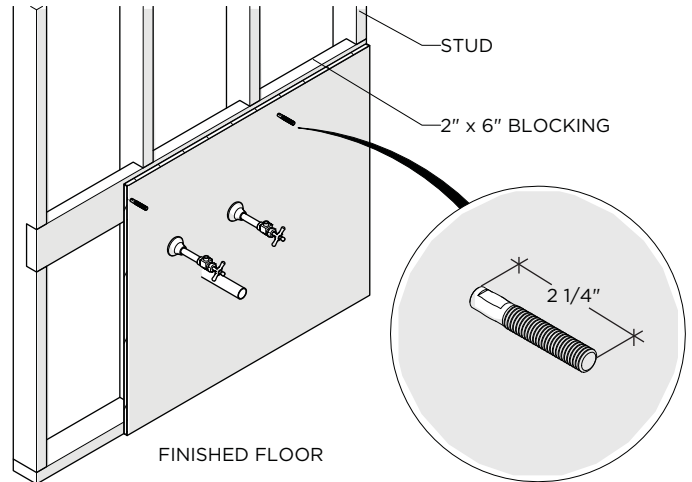


FIGURE - 04

10. Place the PEDESTAL back into position making sure it is centered with the drain pipe and the back of the PEDESTAL is 6 1/2" from the finished wall.

11. Install the drain and faucet fittings (not supplied) onto the SINK based on the manufacturer's instructions.

NOTE: The use of certain plumber's putty may stain stone or tile surfaces.

12. Fit the SINK onto the PEDESTAL making sure the HANGER BOLTS pass through the holes on the back of the SINK.

13. Make sure the SINK is level, makes contact with the finished wall, and does not rock or wobble. If needed, adjust the PEDESTAL and/or add shims (not included).

14. Secure the SINK to the finished wall using the PLASTIC WASHERS and NUTS provided as shown below.

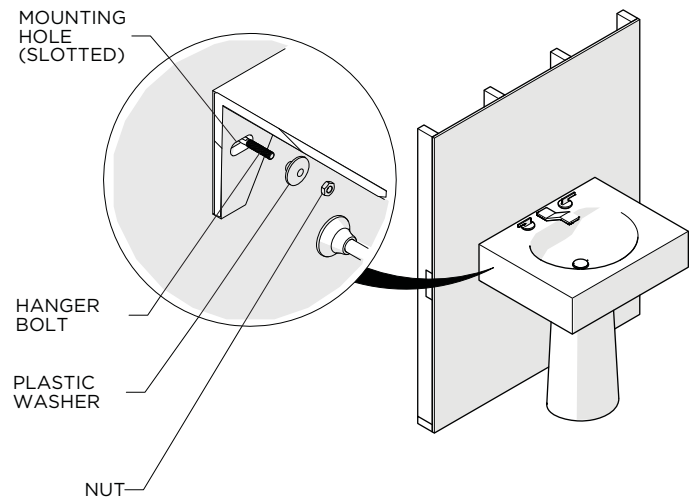


FIGURE - 05

These guidelines have been prepared for the professional contractor to aid in the installation of: FORMWORK LITHIC SINGLE PEDESTAL SINK FOR ONE HOLE FAUCET (STYLE No. FMPL11) AND THREE HOLE FAUCET (STYLE No. FMPL13) 28" x 22 1/2" x 34". All dimensions are based on original specification and are subject to change and variation. Please consult your Design Associate for current specifications.

FINISH THE INSTALLATION:

15. Make final faucet and drain connections.

NOTE: The use of certain plumber's putty may stain stone or tile surfaces.

16. Turn on the water and operate the drain and faucet fittings (not supplied) to ensure proper operation.

17. Check all connections for leaks.

18. If desired, a bead of caulk or a clear silicone may be applied where the SINK contacts the finished wall.

➤ If further assistance is required, please contact Product Support at 1-800-927-2120 Monday through Friday, 8am - 7pm EST.

These guidelines have been prepared for the professional contractor to aid in the installation of:
FORMWORK LITHIC SINGLE PEDESTAL SINK FOR ONE HOLE FAUCET (STYLE No. FMPL11) AND THREE HOLE
FAUCET (STYLE No. FMPL13) 28" x 22 1/2" x 34"

All dimensions are based on original specification and are subject to change and variation.
Please consult your Design Associate for current specifications.

W A T E R W O R K S