

## TRANSIT

## TRSP13

Transit Pressure Balance Shower Package with 2 3/4" Head, Handshower, Tub Spout and Diverter Cross Handle



SHOWN IN TRANSIT PRESSURE BALANCE SHOWER PACKAGE WITH 2 3/4" HEAD, HANDSHOWER, TUB SPOUT AND

### TECHNICAL DETAILS

Suggested Application: Bath  
Water Pressure Maximum: 85.0 psi  
Water Pressure Minimum: 20.0 psi  
Water Pressure Recommended: 45.0 psi

### INSPIRATION

Stylish simplicity that fits into any decor. Each design represents a sophisticated mix of modern and traditional influences, streamlined into a sculpted and tapered look.

### CODES & STANDARDS

See individual component styles for Code Compliance. TRSH01, UNSH38, TRPB10, GUPB81, TRHS01, UN3PR1, GUDV65, UNTS34, TRVC40

### PRODUCT FEATURES

This shower package is composed of the following product styles: TRSH01, UNSH38, TRPB10, GUPB81, TRHS01, UN3PR1, GUDV65, UNTS34, TRVC40

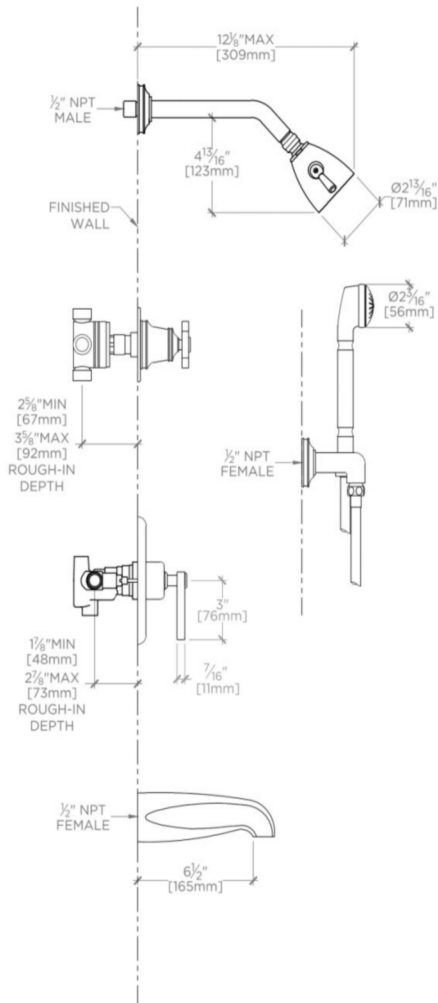


# WATERWORKS

## TRANSIT

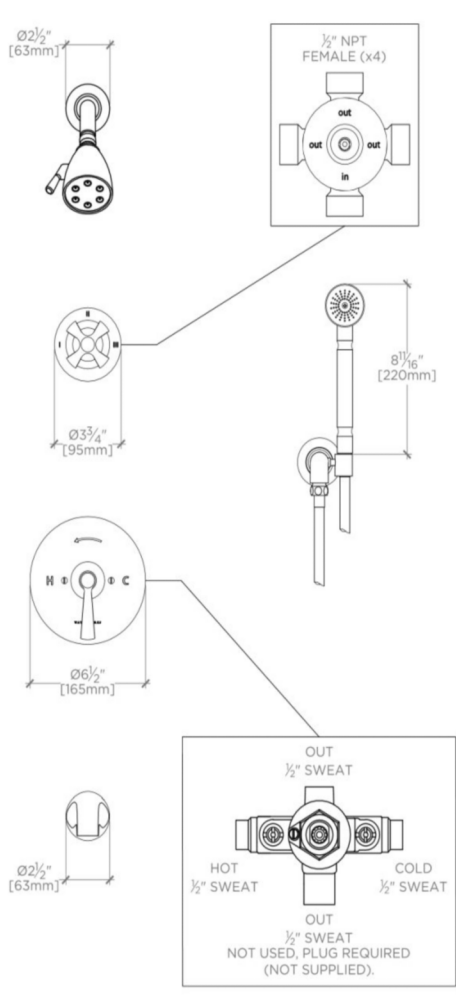
## TRSP13

Transit Pressure Balance Shower Package with 2 3/4" Head, Hand-shower, Tub Spout and Diverter Cross Handle



TRSP13 SIDE VIEW

THIS DRAWING IS NOT INTENDED FOR USE AS A PIPING SCHEMATIC



TRSP13 FRONT VIEW