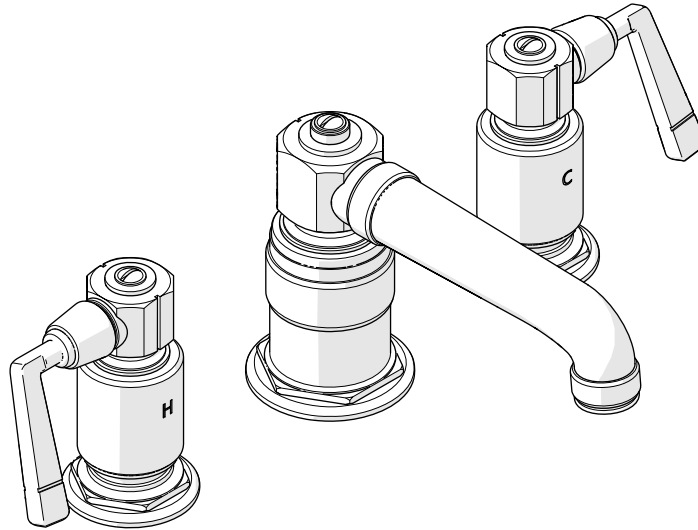




ESTB. 1978

# WATERWORKS

## SERVICE PARTS



### **STYLE RWLS10**

R.W. Atlas Deck Mounted Marquee Lavatory Faucet  
with Metal Lever Side Mount Handles

---

WELCOME TO

# WATERWORKS

For over three decades, Waterworks has transformed the bath through an absolute commitment to design authenticity, innovation and quality. A blend of scholarly appreciation and applied experience guarantees mechanical integrity, meticulous craftsmanship, and timeless designs.

---

**TO ORDER PARTS CALL  
1 (800) 927-2120 (EXT 2)**

Order by part number and specify color, finish, or other options if required.

**PRODUCT SUPPORT**

Our Product Support team provides troubleshooting and technical problem resolution, including replacement parts and installation recommendations throughout the life of your product.

Product Support is available Monday through Friday, 8AM-6PM EST.

**LIMITED LIFETIME  
WARRANTY**

Our warranty covers repair and replacement of Waterworks products if within the applicable coverage period and deemed defective by Waterworks. Waterworks will, at its option, repair or replace such products; this does not include installation costs, labor charges, or other incidental or consequential costs.

To obtain your complete warranty or inquire about warranty service, please visit us at [www.waterworks.com](http://www.waterworks.com) or contact our Product Support Team.

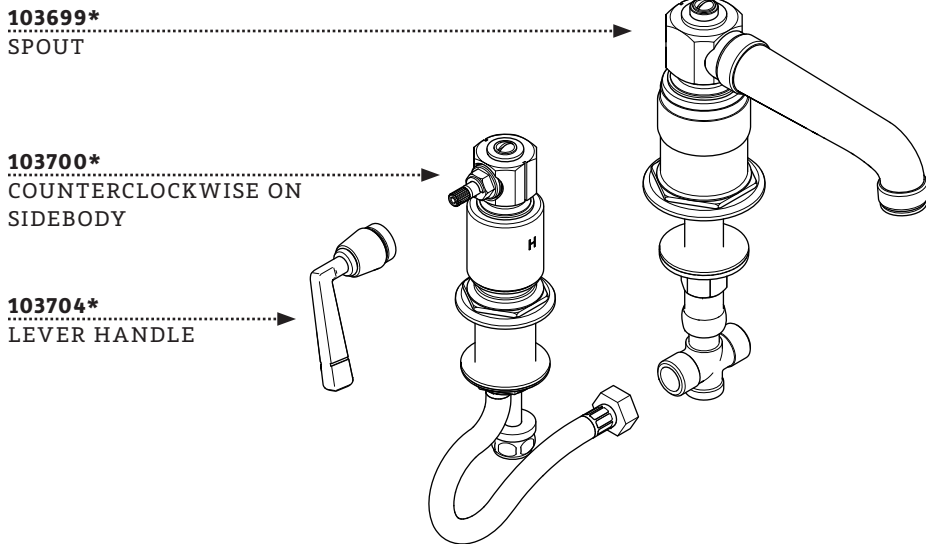


ESTB. 1978

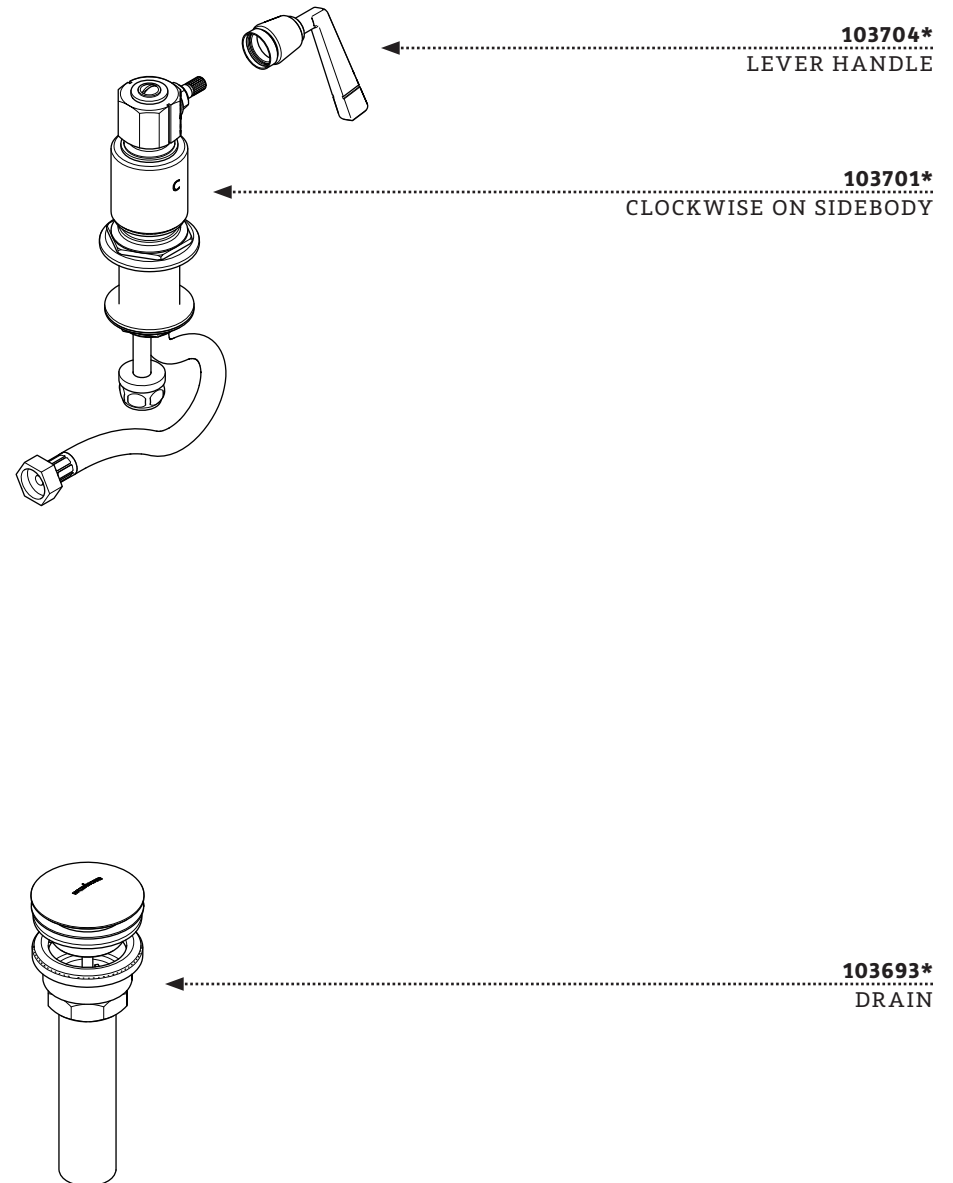
WATERWORKS

**MAIN KITS**

**STYLES: RWLS10**



\*FINISH/COLOR MUST BE SPECIFIED WHEN ORDERING  
++SUPPLIED AS A PAIR





ESTB. 1978

WATERWORKS

### KIT COMPONENTS

STYLES: RWLS10

**103702**  
3/8" COUNTERCLOCKWISE  
ON CARTRIDGE



SIDE BODY



O-RING



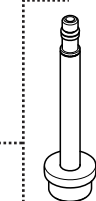
RUBBER WASHER



NUT



**103706**  
SUPPLY TUBE

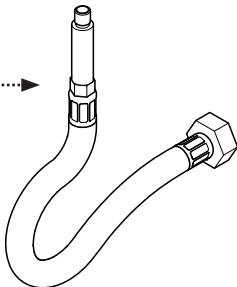


SUPPLY TUBE

NUT

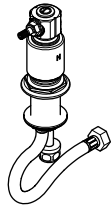


**103705**  
HOSE



**103700\***

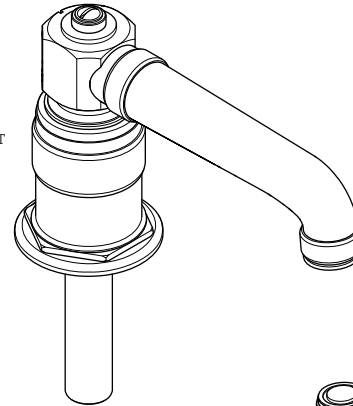
COUNTERCLOCKWISE  
ON SIDEBODY



\*FINISH/COLOR MUST BE SPECIFIED WHEN ORDERING  
++SUPPLIED AS A PAIR

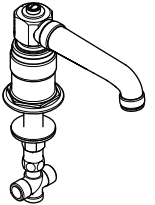
### KIT COMPONENTS

SPOUT



**103699\***

SPOUT



**103690**

AERATOR



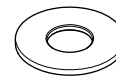
O-RING



RUBBER WASHER



METAL WASHER



NUT



**103696**  
MOUNTING HARDWARE

RUBBER WASHER



TEE



**103614**

TEE



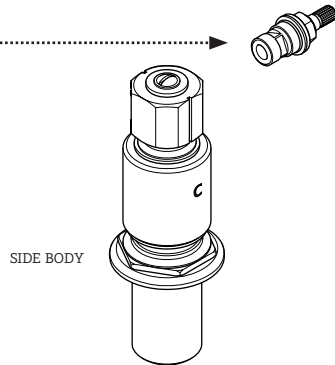
ESTB. 1978

WATERWORKS

### KIT COMPONENTS

STYLES: RWLS10

**103703**  
3/8" CLOCKWISE ON  
CARTRIDGE



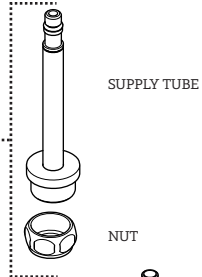
SIDE BODY

O-RING

RUBBER WASHER

NUT

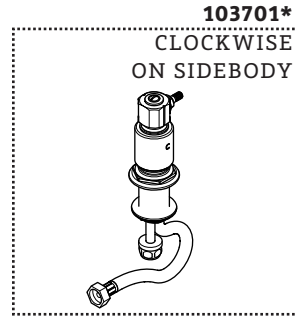
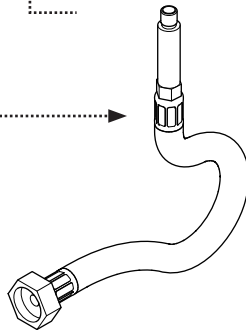
**103706**  
SUPPLY TUBE



SUPPLY TUBE

NUT

**103705**  
HOSE



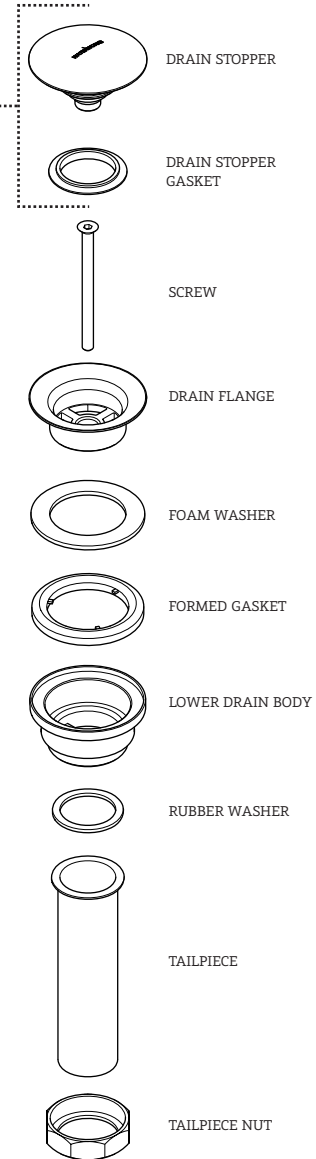
**103701\***

CLOCKWISE  
ON SIDEBODY

\*FINISH/COLOR MUST BE SPECIFIED WHEN ORDERING  
++SUPPLIED AS A PAIR

### KIT COMPONENTS

**103692\***  
DRAIN STOPPER



DRAIN STOPPER

DRAIN STOPPER  
GASKET

SCREW

DRAIN FLANGE

FOAM WASHER

FORMED GASKET

LOWER DRAIN BODY

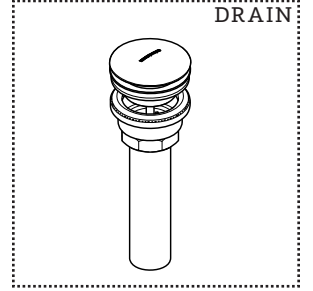
RUBBER WASHER

TAILPIECE

TAILPIECE NUT

**103693\***

DRAIN





ESTB. 1978

W A T E R W O R K S

## SERVICE PARTS INDEX

<u>STYLE</u>	<u>DESCRIPTION</u>	<u>PG</u>
103703	3/8" CLOCKWISE ON CARTRIDGE	6
103702	3/8" COUNTERCLOCKWISE ON CARTRIDGE	4
103690	AERATOR	5
103701*	CLOCKWISE ON SIDEBODY	6
103700*	COUNTERCLOCKWISE ON SIDEBODY	4
103693*	DRAIN	7
103692*	DRAIN STOPPER	7
103705	HOSE	6
103704*	LEVER HANDLE	3
103696	MOUNTING HARDWARE	5
103699*	SPOUT	5
103706	SUPPLY TUBE	6
103614	TEE	5

**STYLES: RWLS10**

\*FINISH/COLOR MUST BE SPECIFIED WHEN ORDERING  
++SUPPLIED AS A PAIR

## NOTES

DOCUMENT: SPRW01\_REV01



ESTB. 1978

WATERWORKS

**PRODUCT SUPPORT**

60 BACKUS AVENUE

DANBURY, CT 06810

1 (800) 927-2120 (EXT 2)

[WWW.WATERWORKS.COM](http://WWW.WATERWORKS.COM)