

COLETTE

Colette 70" x 32" x 24" Freestanding Oval Bathtub

CBBT01



SHOWN IN COLETTE 70" X 32" X 24" FREESTANDING OVAL BATHTUB| CBBT01

TECHNICAL DETAILS

ADA Compliance: No
Bathing Type: Bathing and Soaking
Bottom Angle / Pitch: 3.0 degree_angle
Depth to Overflow: 16"
Drain Hole Diameter: 1 7/8"
Drilling Option: None
Depth / Width: 32"
Height: 24"
Installation Type: Freestanding
Item Weight (Filled): 820.0 pounds
Length: 70"
Overflow Hole Diameter: 1 13/16"
Primary Material: Fiberglass
Single or Double Ended: Double Ended
Suggested Application: Bath

INSPIRATION

Simple elegance at its essence. The edging detail of this 19th century design appears to be carved from stone, an effect that is enhanced by the play between the honed matte exterior and high polish interior. Beautifully proportionate and formed for absolute relaxation.

CODES & STANDARDS

Code # CBBT01: UL, cUL

PRODUCT FEATURES

Carved marble inspired the dual texture of this tub.

Double ended, this tub was carefully proportioned for comfort.

Use with drain PTWO04 or EMWO02.

CERTIFICATIONS



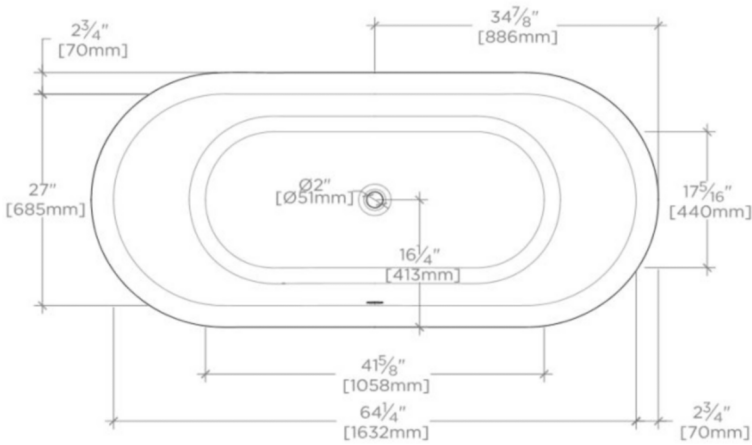
PRODUCT (NOTES)

Dimensions of fixtures are nominal. Measure your actual product for rough-in details.

COLETTE

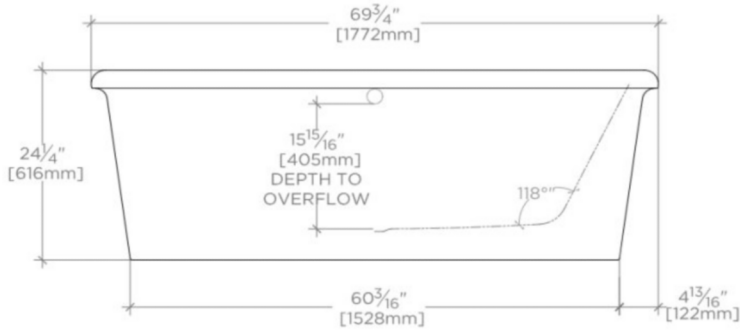
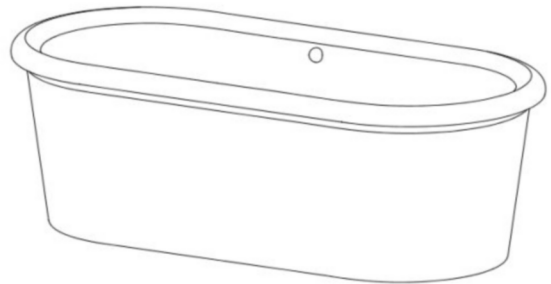
CBBT01

Colette 70" x 32" x 24" Freestanding Oval Bathtub



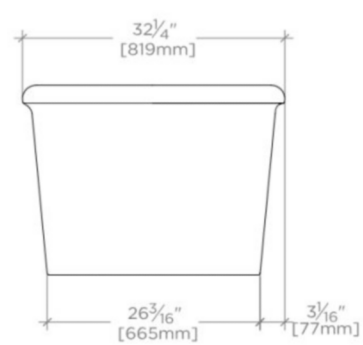
TOP VIEW

SCALE: 1/2"=1'-0"



SIDE VIEW

SCALE: 1/2"=1'-0"



END VIEW

SCALE: 1/2"=1'-0"

RECOMMENDED WASTE & OVERFLOW STYLE #:

EMW002 - Empire Waste and Overflow
or
BTW004 - 2E Waste and Overflow