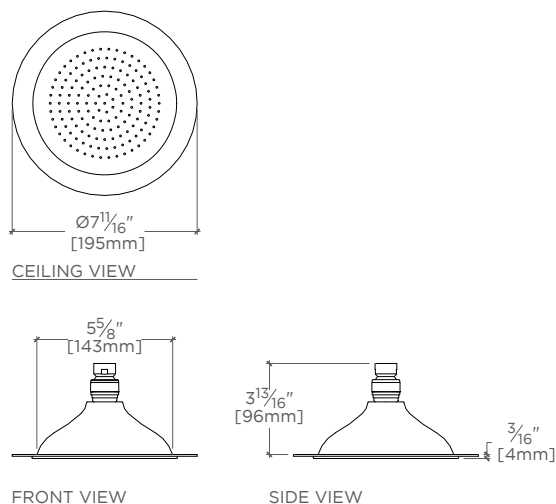


UNIVERSAL
CEILING MOUNTED 7-3/4" SHOWER ROSE

INSTALLATION GUIDELINES

Style No. UNSH08



SPECIFICATIONS:

Fitting Hole Diameter: 5-3/4" MIN - 6-1/2" MAX
 Inlet Connection Size: 1/2"
 Inlet Connection Type: Female Straight Thread
 Maximum Restricted Flow Rate: 2.5gpm
 Recommended Water Pressure: 45psi

IMPORTANT:

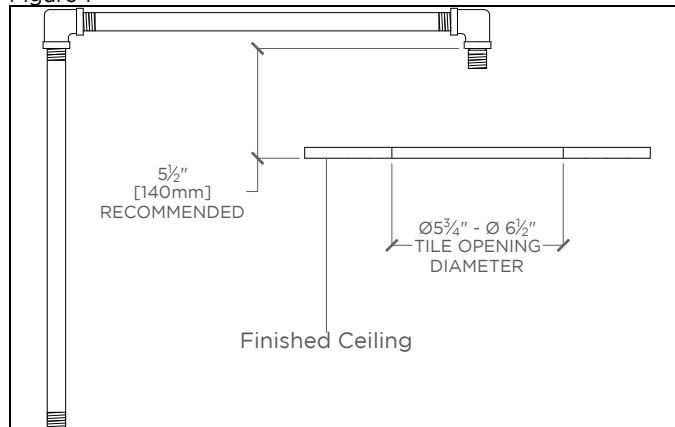
- To ensure this product is installed properly, you must read and follow these guidelines.
- The owner/user of this product must keep this information for future reference.
- Be sure your installation conforms to federal state, and local codes. In the State of Massachusetts, all installations must comply with the rules and regulations set forth within 248 CMR.
- This product must be installed by a professional licensed contractor.
- Product should be on-site prior to rough-in. This allows the installer to visualize the installation and verify the center spread.
- Inspect this product to ensure you have all the parts required for proper installation.
- Use only a strap wrench or protected/smooth-jaw wrench on any finished surface.

ROUGH-IN:

- See Figure 1 for Steps 1-3.
1. Install the water supply line with an elbow and a 1/2" NPT brass nipple at the desired location of the shower rose.
 2. Do not strap the pipes down until the proper depth has been set.
 3. Making sure the end of the elbow is level with the finished

ceiling, measure the distance between the face of the elbow and the finished ceiling. The recommended distance between the face of the elbow and the finished ceiling is 5-1/2". The proper nipple type and size must be determined by the plumber to suite the installation and allow for the recessed shower ring and head to sit flush against the finished ceiling.

Figure 1

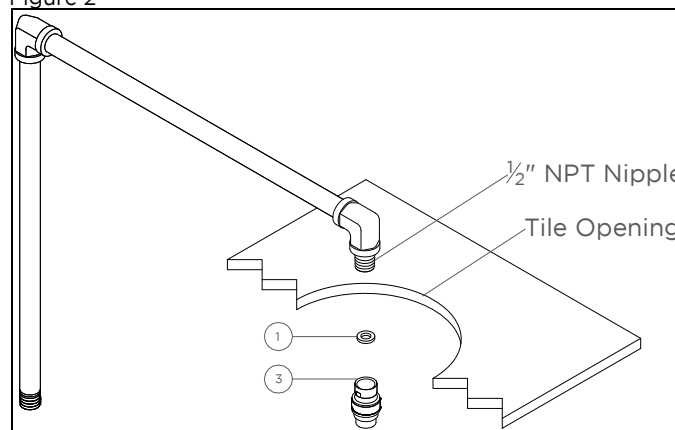


4. Once the depth is verified, install the proper backing and strap the pipes down.
5. Turn on the water supply to flush out any dirt and debris from installation. Then turn the water off.

SHOWER ROSE INSTALLATION:

6. Thread the entire swivel assembly (2-7) onto the nipple, making sure to place a rubber washer (1) in the inlet of the swivel ball joint (3). Note: There is a flow restrictor within the swivel assembly (5). See Figure 2.

Figure 2



7. Holding the shower ring against the finished ceiling, thread the shower rose onto the swivel until the ring is securely held against the ceiling.

INSPECT THE INSTALLATION:

8. Turn on the water supply and check for leaks.
- If further assistance is required, please contact Product Support at 1-800-927-2120 (8am-6pm EST).

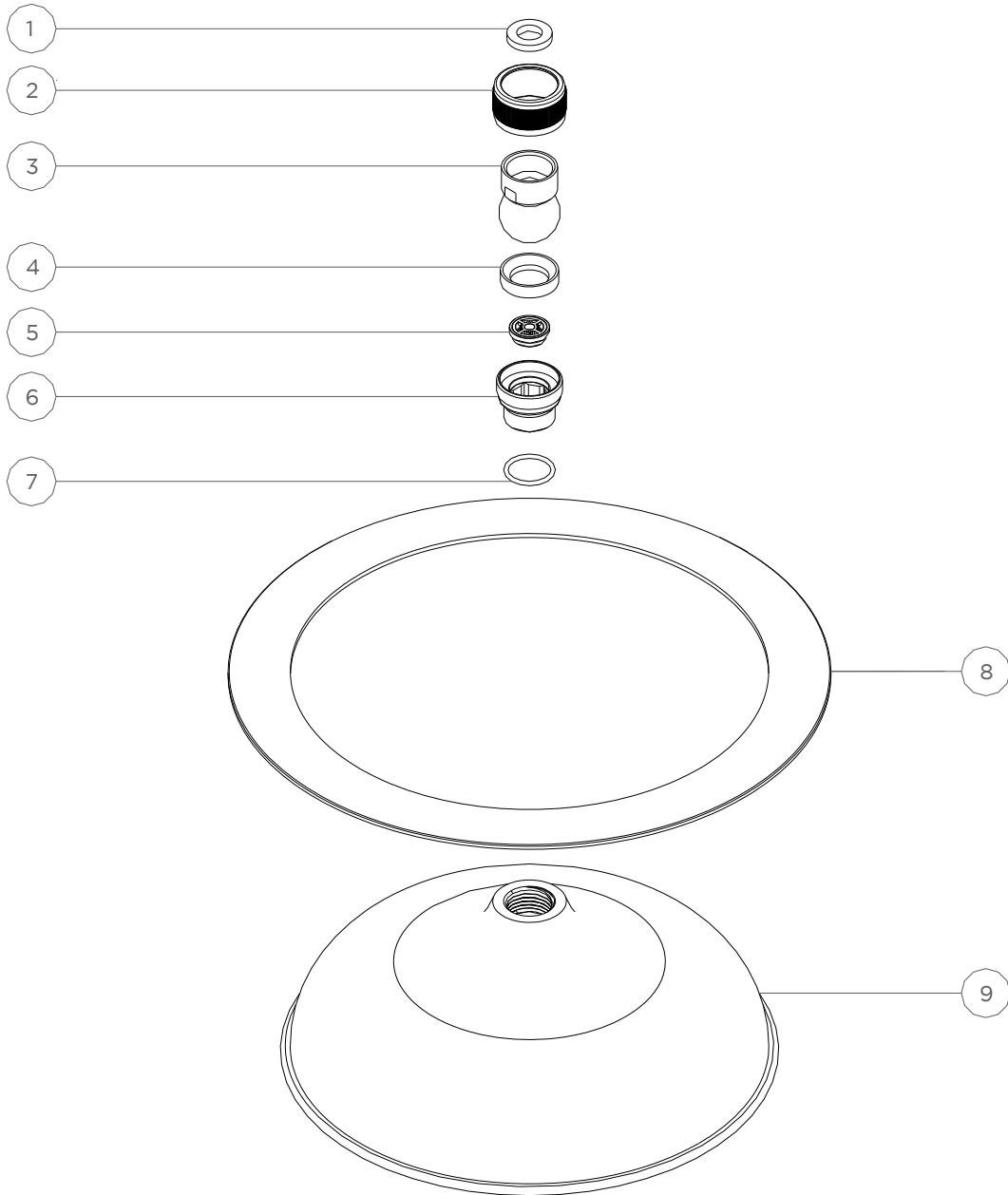
These guidelines have been prepared for the professional contractor to aid in the installation of: UNIVERSAL CEILING MOUNTED 7-3/4" SHOWER ROSE (STYLE # UNSH08). All dimensions are based on original specification and are subject to change and variation. Please consult your Design Associate for current specifications.

WATERWORKS

UNIVERSAL
CEILING MOUNTED 7-3/4" SHOWER ROSE

INSTALLATION GUIDELINES

ITEM NO.	DESCRIPTION	QTY
1	Washer, 10.5mm ID x 18.5mm OD x 3mm Thickness, Rubber	1
2	Swivel Socket	1
3	Swivel Ball Joint	1
4	Formed Gasket	1
5	Flow Restrictor	1
6	Swivel Coupler	1
7	O-Ring, 17.5mm ID x 1.8mm Width, Rubber	1
8	Rink, Universal Recessed Shower Head	1
9	Shower Rose, 6", Universal	1



These guidelines have been prepared for the professional contractor to aid in the installation of:
UNIVERSAL CEILING MOUNTED 7-3/4" SHOWER ROSE (STYLE # UNSH08).
 All dimensions are based on original specification and are subject to change and variation.
 Please consult your Design Associate for current specifications.

WATERWORKS