

## WATERWORKS

PRODUCT SUPPORT  
800.927.2120  
WATERWORKS.COM

# EASTON CLASSIC

Classic Volume Control Valve Trim with  
Black Porcelain Lever Handles in Chrome

**STYLE No.** EAVC71

**REFERENCE No.** EASV71C

**ITEM No.** 05-72798-97713

**SPECIFICATIONS**  
PAGE 1 OF 3

### DESIGN

Easton is a timeless escape and draws on the deep waters of Edwardian style. Easton is the most extensive family in the Waterworks collection, with a range of moods from traditional to modern, and a selection of products from fittings to furniture.

### FEATURES

Brass metal is used for all trim and valve components

The manufacturing process encompasses casting, turning, forging, hand-fitting and hand polishing.

Easton is our most comprehensive fittings family.

Easton has a clean-lined utilitarian profile, with a slightly elongated spout.



SHOWN IN Nickel

**WATERWORKS**

PRODUCT SUPPORT  
800.927.2120  
WATERWORKS.COM

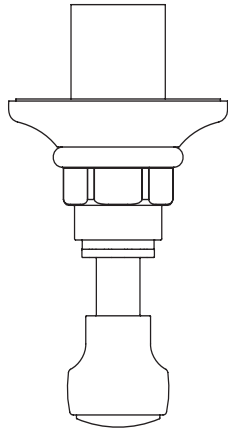
# EASTON CLASSIC

Classic Volume Control Valve Trim with  
Black Porcelain Lever Handles in Chrome

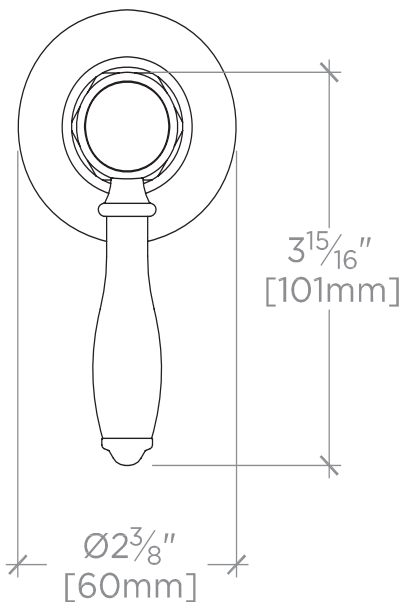
**STYLE No.** EAVC71  
**REFERENCE No.** EASV71C  
**ITEM No.** 05-72798-97713

**SPECIFICATIONS**  
PAGE 2 OF 3

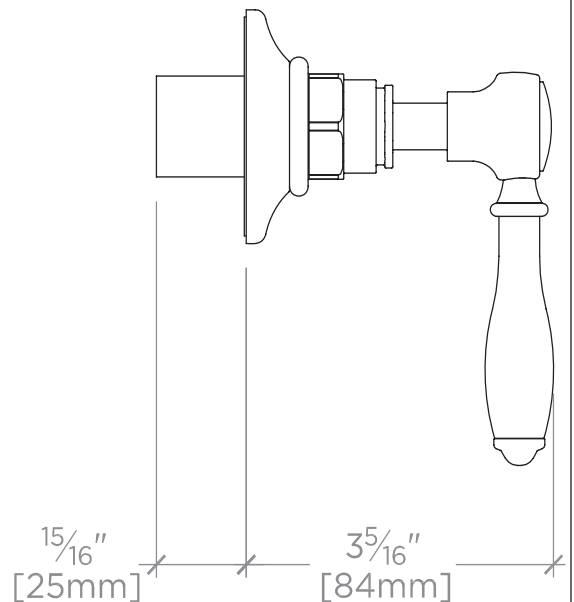
*All dimensions are based on original specifications and are subject to change and variation. Please consult your Design Associate for current specifications.*



TOP VIEW SCALE: 3"=1'-0"



FRONT VIEW SCALE: 3"=1'-0"



SIDE VIEW SCALE: 3"=1'-0"

## WATERWORKS

PRODUCT SUPPORT  
800.927.2120  
WATERWORKS.COM

# EASTON CLASSIC

Classic Volume Control Valve Trim with  
Black Porcelain Lever Handles in Chrome

**STYLE No.** EAVC71

**REFERENCE No.** EASV71C

**ITEM No.** 05-72798-97713

**SPECIFICATIONS**  
PAGE 3 OF 3

### SPECIFICATIONS

Primary Material: Brass

Control Valve Rough-in Depth Minimum: 2 ½"

Control Valve Rough-in Depth Maximum: 4  
⅓"

Diverter Valve Rough-in Depth Minimum: 2  
⅘/100"

Diverter Valve Rough-in Depth Maximum: 3  
19/25"

### CARE INSTRUCTIONS

Wash surfaces gently with a soft damp cloth;  
use a neutral liquid soap with water for daily  
cleaning, dry any overspray.

### CODES AND STANDARDS

ASME A112.18.1, CSA B125, IAPMO, State of  
MA

### FLOW RATE CURVE

### REQUIRED PLUMBING DETAILS

Below is a list of choices that must be  
made to complete your lavatory faucet.