

WATERWORKS

PRODUCT SUPPORT
800.927.2120
WATERWORKS.COM

NORMANDY

Hammered Copper Oval Overmount / Undermount Lavatory 22" x 15" x 7" in Chrome

STYLE No. NOLV33

REFERENCE No. NOLV33C

ITEM No. 11-56229-68362

SPECIFICATIONS

PAGE 1 OF 3

DESIGN

Our exclusive Normandy sinks, hammered by hand according to old French tradition.

FEATURES

Handcrafted in France from sheets of copper and formed in individual molds.

The Normandy sinks are finished with a burnishing hammer and polished by hand.

Suitable for master baths and powder rooms.



SHOWN IN finish/color

WATERWORKS

PRODUCT SUPPORT
800.927.2120
WATERWORKS.COM

NORMANDY

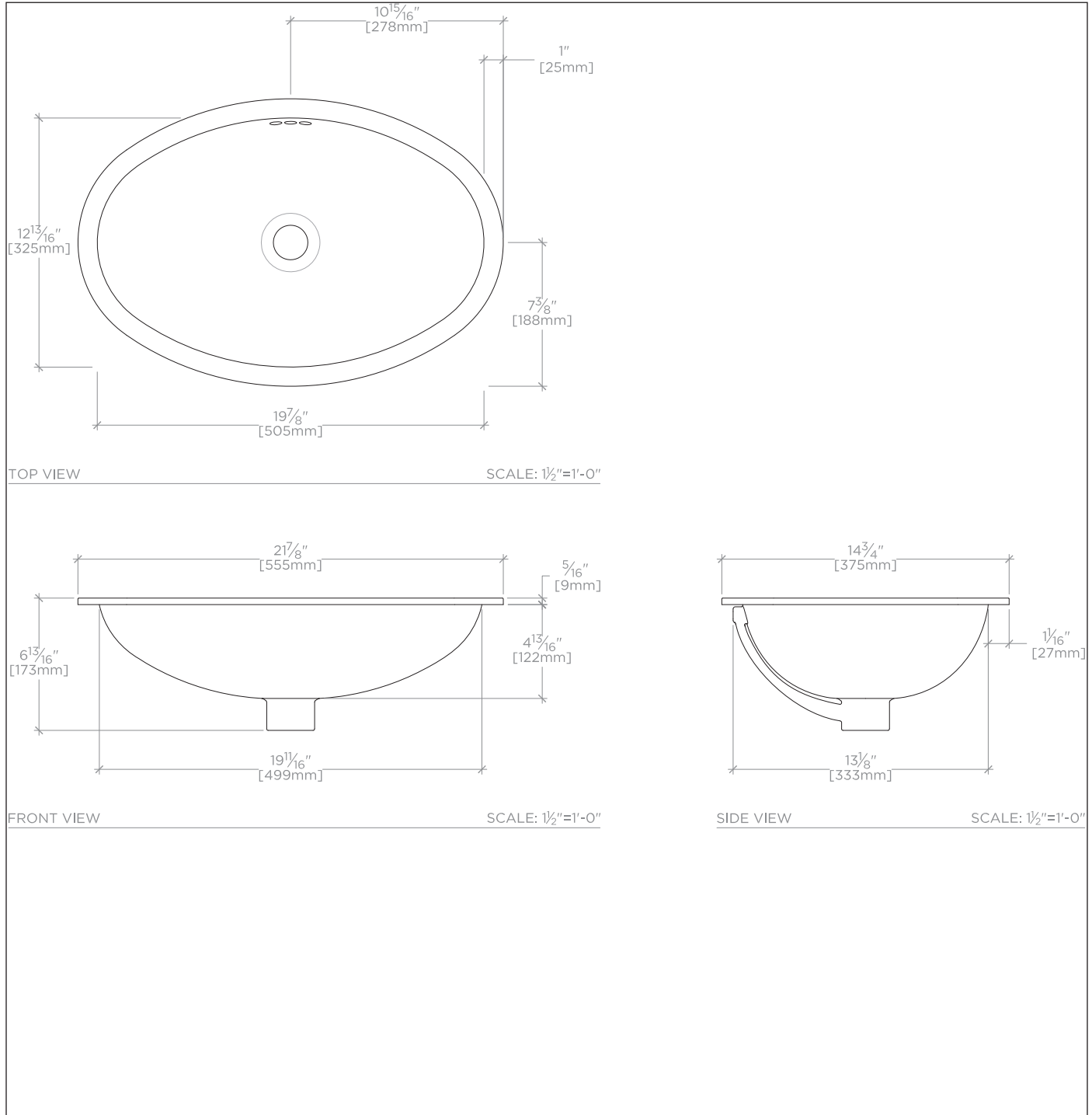
Hammered Copper Oval Overmount / Undermount Lavatory 22" x 15" x 7" in Chrome

STYLE No. NOLV33
REFERENCE No. NOLV33C
ITEM No. 11-56229-68362

SPECIFICATIONS

PAGE 2 OF 3

All dimensions are based on original specifications and are subject to change and variation. Please consult your Design Associate for current specifications.



WATERWORKS

PRODUCT SUPPORT
800.927.2120
WATERWORKS.COM

NORMANDY

Hammered Copper Oval Overmount / Undermount Lavatory 22" x 15" x 7" in Chrome

STYLE No. NOLV33

REFERENCE No. NOLV33C

ITEM No. 11-56229-68362

SPECIFICATIONS

PAGE 3 OF 3

SPECIFICATIONS

Primary Material: Hammered Copper
ADA Compliance: When installed per ADA guidelines
Dimension Tolerance:
Drain Hole Depth: 1 3³/₁₆"
Drain Hole Diameter: 1 ⁷⁷/₁₀₀"
Installation Type: Overmount / Undermount
Material / Wall Thickness:
Outer Rim Shape: Oval
Overflow Opening: With Overflow Opening
Stain Resistance:

CARE INSTRUCTIONS

To clean the finish, wipe gently with a soft damp cloth and then with a soft dry towel. A mild soap solution can be used for daily cleaning.

CODES AND STANDARDS

REQUIRED PLUMBING DETAILS

Below is a list of choices that must be made to complete your lavatory sink.