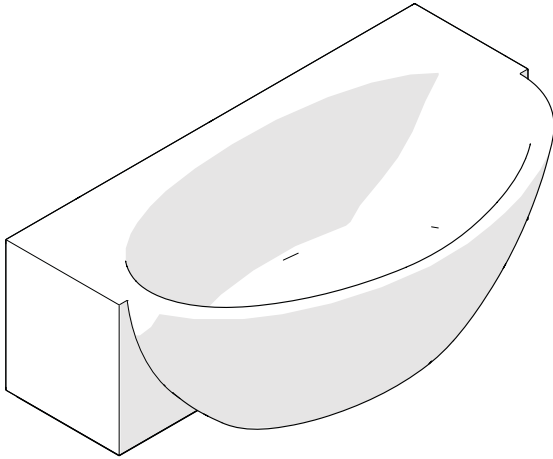


STYLE No. FMBT72
(With Center Drain)



SPECIFICATIONS:

Adjustable Levelers / Feet: No
 Assembly / Configuration: One Piece
 Bathing Type: Bathing and Soaking
 Bottom Angle / Pitch: 1°
 Depth to Overflow: 15 5/8" [397mm]
 Drain Hole Depth: 1 7/8" [48mm]
 Drain Hole Diameter: 2" [51mm]
 Depth / Width: 41 7/16" [1052mm]
 Height: 24" [610mm]
 Length: 72" [1829mm]
 Overflow Hole Diameter: 1 7/8" [48mm]
 Overflow Opening: Yes
 Single or Double Ended: Double Ended
 Water Capacity: 80gal

REQUIRED PLUMBING DETAILS:

.25 Push-Touch Waste and Overflow Drain
STYLE No. PTW004

Universal Tile Flange Set of 3 (*Alcove Installations Only*)
STYLE No. UNFLO1

CAUTION:

- **BATHTUB IS EXTREMELY HEAVY.**
- **PACKAGED WEIGHT 1300 LBS [589.7 KG]**
- **DRY WEIGHT 1150 LBS [521.6 KG]**
- **FILLED WEIGHT 1850 LBS [839.2 KG]**
- **ENSURE THE BATHTUB IS PROPERLY SUPPORTED BY THE BASE AND ADEQUATE FLOOR SUPPORT IS REQUIRED.**

IMPORTANT:

- **Immediately after receiving the bathtub and removal of packing, you MUST inspect the unit for freight damage. Any claims for damage, whether apparent or hidden, must be made to the carrier immediately in order for them to assume all associated costs. Should inspection reveal any defect in the finish, do not install the bathtub. Damage or defect to the finish claimed after the bathtub is installed is excluded from the warranty. The warranty DOES NOT cover labor or materials to remove or reinstall the bathtub.**
- To ensure this product is installed properly, you must read and follow these guidelines.
- The owner/user of this product must keep this information for future reference.
- All final connections are made below the finished floor. Accessibility below the finished floor is recommended.
- For installations that have access from below the finished floor, trap adapters can be used instead of the slip joint gasket supplied with the .25 Push-Touch Waste and Overflow Drain (sold separately).
- For installations where access from below the finished is limited, i.e. slabs, the slip joint gasket supplied with the .25 Push-Touch Waste and Overflow Drain (sold separately) is required.
- This product must be installed by a professional licensed contractor. Be sure your installation conforms to all federal, state, and local codes.
- Inspect this product to assure it is the correct model and you have all parts required for proper installation. The bathtub can be used in a freestanding or alcove installation. Take all necessary precautions to ensure the tub is protected during installation.
- The use of certain plumber's putty may stain stone or tile surfaces.

FREESTANDING INSTALLATION:

- Installations that have access from below the finished floor, trap adapters can be used instead of the SLIP JOINT GASKET provided with the drain (sold separately).
- .25 Push-Touch Waste and Overflow Drain, Style No. PTW004, is sold separately.

ROUGH-IN:

1. Determine the placement of the BATHTUB and mark the floor at the center point of the drain opening then drill a hole through the floor to accommodate the drain.
2. Rough in a 1-1/2" DWV (not supplied). Assure all DWV pipes and fittings are well supported to eliminate the possibility of shifting.

These guidelines have been prepared for the professional contractor to aid in the installation of:
 FORMWORK 72" x 41 3/8" x 24" LITHIC FREESTANDING OR ALCOVE OVAL SIDE BATHTUB WITH CENTER DRAIN
 (STYLE No. FMBT72).

All dimensions are based on original specification and are subject to change and variation.
 Please consult your Design Associate for current specifications.

W A T E R W O R K S

IMPORTANT: Make sure the 1-1/2" HUB is 1" - 3" to the finished floor so the 5-3/4" TAILPIECE can be installed securely. The SLIP JOINT GASKET provided with the drain (sold separately) does not fit in a copper coupling.

TUB INSTALLATION:

- Cover the floor with a pad or other protective material and gently rest the BATHTUB on its flat side to allow for final drain and overflow installation.

➤ See Figure - 01 for Steps 4 - 6.

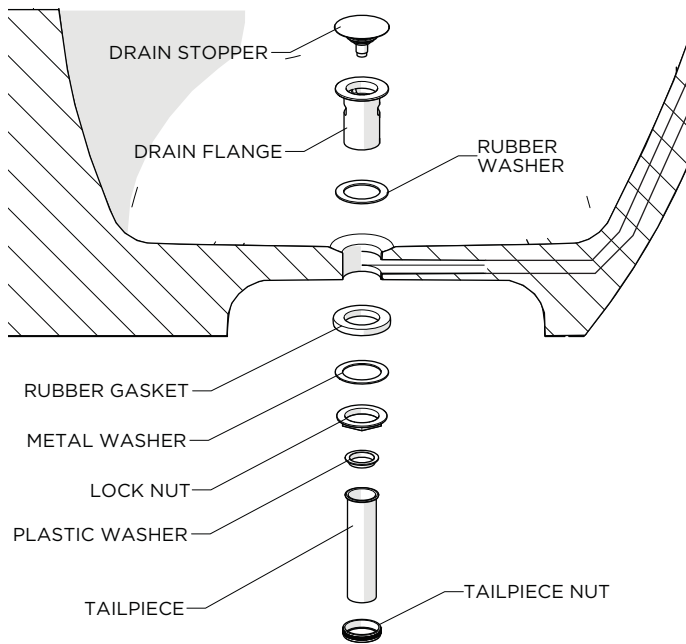


FIGURE - 01

- Unthread the DRAIN STOPPER from the DRAIN FLANGE then slide the RUBBER WASHER onto the FLANGE then insert it into the drain opening. A bead of clear adhesive silicone around the DRAIN FLANGE can be applied instead of the RUBBER WASHER.
- Apply a generous bead of silicone to the FLANGE then apply thread sealant to the threads on the FLANGE and the bottom of the TUB. Secure the FLANGE using the RUBBER GASKET, METAL WASHER, and LOCKING NUT.
- Install the TAILPIECE using the PLASTIC WASHER, and TAILPIECE NUT. DO NOT over tighten the NUT.

➤ See Figure - 02 for Steps 7 - 8.

- Assemble the overflow RETAINING BAR, PLATE, and PLATE SCREW then insert the BAR into the overflow hole of the tub.
- Tighten the SCREW to secure the overflow assembly then thread the COVER onto the SCREW. Adjust the SCREW as needed so the Waterworks logo is horizontal.

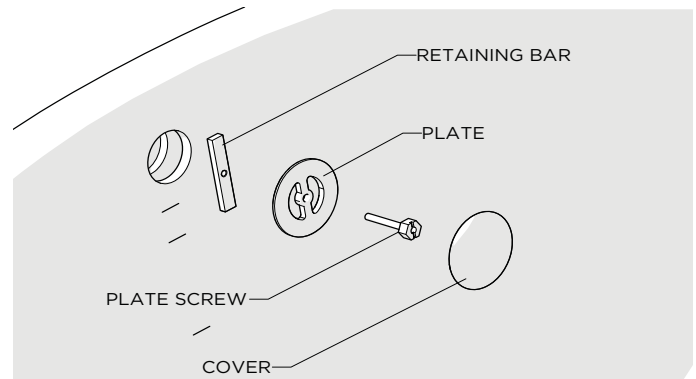


FIGURE - 02

- With the DRAIN FLANGE and TAILPIECE attached, position the BATHTUB so the TAILPIECE passes through the hole in the finished floor.
- Verify the BATHTUB rests level on the finished floor. If needed, add shims beneath the BATHTUB.
- Dry fit the remaining DWV pipe connections to the proper dimensions. Connect the TAILPIECE to the HUB using the 1-1/2" SLIP JOINT GASKET provided with the drain.

CAUTION: IF ACCESS FROM BELOW THE FINISHED FLOOR IS LIMITED, I.E. SLABS:

Dry-fit the SLIP JOINT GASKET into the 1-1/2" HUB then measure the distance, DIMENSION A, from the finished floor to the GASKET to make sure the TAILPIECE will fully insert into the GASKET. Cut the TAILPIECE as needed and remove the GASKET. See Figure - 03.

FINISHED FLOOR

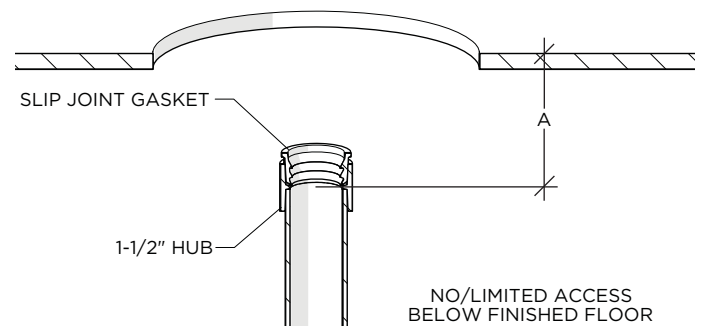


FIGURE - 03

- Gently rest the BATHTUB back onto its flat side making sure it rests on a pad or other protective material.
- Apply clear adhesive silicone to the outside of the SLIP JOINT GASKET and insert it into the HUB then apply clear adhesive silicone to the inside of the GASKET.

NOTE: The silicone will act as a lubricant then act as a seal when it cures.

These guidelines have been prepared for the professional contractor to aid in the installation of:
FORMWORK 72" x 41 3/8" x 24" LITHIC FREESTANDING OR ALCOVE OVAL SIDE BATHTUB WITH CENTER DRAIN
(STYLE No. FMBT72).

All dimensions are based on original specification and are subject to change and variation.
Please consult your Design Associate for current specifications.

WATERWORKS

14. With the DRAIN FLANGE and TAILPIECE attached, position the BATHTUB so the TAILPIECE passes through the hole in the finished floor and slides into the 1-1/2" HUB.

15. Verify the BATHTUB rests level on the finished floor. If needed, add shims beneath the BATHTUB.

➤ Proceed to Step 36.

ALCOVE INSTALLATION:

- Installations that have access from below the finished floor, trap adapters can be used instead of the SLIP JOINT GASKET provided with the drain (sold separately).
- Universal Tile Flange Set of 3, Style No. UNFLO1, is sold separately.
- .25 Push-Touch Waste and Overflow Drain, Style No. PTW004, is sold separately.

ROUGH-IN:

16. Determine the placement of the BATHTUB and mark the floor at the center point of the drain opening then drill a hole through the floor to accommodate the drain.

17. Rough in a 1-1/2" DWV (not supplied). Assure all DWV pipes and fittings are well supported to eliminate the possibility of shifting.

IMPORTANT: Make sure the 1-1/2" HUB is 1" - 3" to the finished floor so the 5-3/4" TAILPIECE can be installed securely. The SLIP JOINT GASKET provided with the drain (sold separately) does not fit in a copper coupling.

18. Build the alcove enclosure frame based on physical BATHTUB dimensions then rough-in the desired plumbing features.

NOTE: It is recommended for the enclosure to be deeper than the rectangular portion of the BATHTUB and for the cement board and finished wall material to have a combined minimum thickness of 1". This will ensure that the undercut on the ends of the BATHTUB will be concealed.

TUB INSTALLATION:

19. Cover the floor with a pad or other protective material and gently rest the BATHTUB on its flat side to allow for final drain and overflow installation.

➤ See Figure - 01 for Steps 20 - 21.

20. Unthread the DRAIN STOPPER from the DRAIN FLANGE then slide the RUBBER WASHER onto the FLANGE then insert it into the drain opening. A bead of clear adhesive silicone around the DRAIN FLANGE can be applied instead of the RUBBER WASHER.

21. Apply a generous bead of silicone to the FLANGE then apply thread sealant to the threads on the FLANGE and the bottom of the TUB. Secure the FLANGE using the RUBBER GASKET, METAL WASHER, and LOCKING NUT.

➤ See Figure - 02 for Steps 22 - 23.

22. Assemble the overflow RETAINING BAR, PLATE, and PLATE SCREW then insert the BAR into the overflow hole of the tub.

23. Tighten the SCREW to secure the overflow assembly then thread the COVER onto the SCREW. Adjust the SCREW as needed so the Waterworks logo is horizontal.

24. With the DRAIN FLANGE and TAILPIECE attached, carefully move the BATHTUB into the alcove enclosure so the TAILPIECE passes through the hole in the finished floor.

25. Verify the BATHTUB rests level on the finished floor. If needed, add shims beneath the BATHTUB.

26. Dry fit the remaining DWV pipe connections to the proper dimensions. Using the 1-1/2" SLIP JOINT GASKET provided with the drain (sold separately), connect the TAILPIECE to the HUB.

CAUTION: IF ACCESS FROM BELOW THE FINISHED FLOOR IS LIMITED, I.E. SLABS:

Dry-fit the SLIP JOINT GASKET into the 1-1/2" HUB then measure the distance, DIMENSION A, from the finished floor to the GASKET to make sure the TAILPIECE will fully insert into the GASKET. Cut the TAILPIECE as needed and remove the GASKET. See Figure - 03.

27. Gently rest the BATHTUB back onto its side making sure it rests on a pad or other protective material.

28. Apply clear adhesive silicone to the outside of the SLIP JOINT GASKET then insert it into the HUB then apply clear adhesive silicone to the inside of the GASKET.

NOTE: The silicone will act as a lubricant then act as a seal when it cures.

29. With the DRAIN FLANGE and TAILPIECE attached, carefully move the BATHTUB into the alcove enclosure so the TAILPIECE passes through the hole in the finished floor and slides into the 1-1/2" HUB.

30. Verify the BATHTUB rests level on the finished floor. If needed, add shims beneath the BATHTUB.

TILE FLANGE INSTALLATION:

➤ The Universal Tile Flange Set (sold separately) includes one 74" and two 42" length pieces.

31. Fit each piece of TILE FLANGE to the BATHTUB and cut as needed.

These guidelines have been prepared for the professional contractor to aid in the installation of:
FORMWORK 72" x 41 3/8" x 24" LITHIC FREESTANDING OR ALCOVE OVAL SIDE BATHTUB WITH CENTER DRAIN
(STYLE No. FMBT72).

All dimensions are based on original specification and are subject to change and variation.
Please consult your Design Associate for current specifications.

W A T E R W O R K S

32. Miter cut the ends where the FLANGES meet and dry fit the pieces to the BATHTUB as shown in Figure - 04.

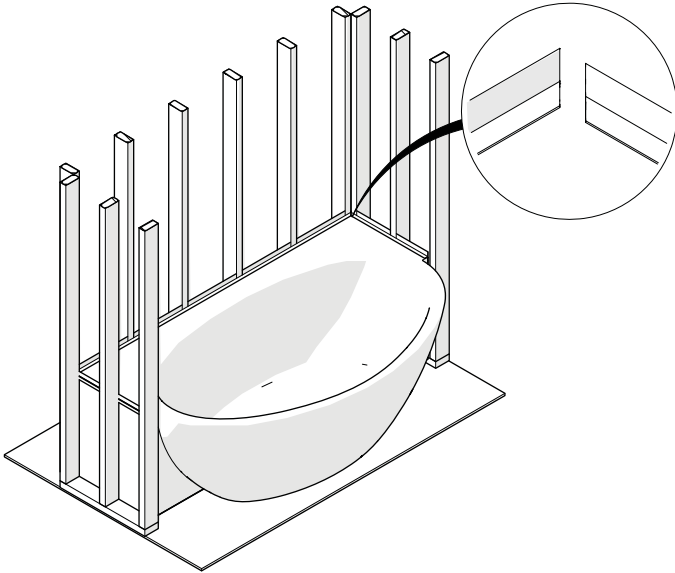


FIGURE - 04

33. Apply a bead of clear adhesive silicone on the surfaces on the TILE FLANGE pieces that will contact the BATHTUB then fit the pieces between the framing and BATHTUB.

NOTE: Add additional silicone to the miter joints.

FINAL INSTALLATION:

- **NOTE:** It is recommended for the enclosure to be deeper than the rectangular BATHTUB and for the cement board and finished wall material to have a combined minimum thickness of 1". This will ensure that the undercut on the ends of the BATHTUB will be concealed.
- See Figure - 05 for Steps 34 - 35.

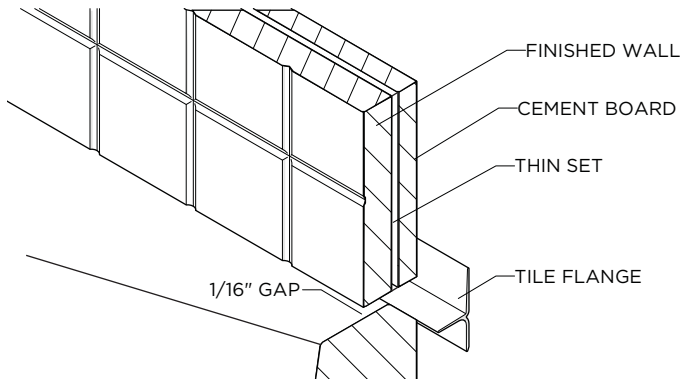


FIGURE - 05

34. Install a suitable backer board material onto the framing so that it covers the FLANGE and is 1/16" above the TUB deck.

35. Install the finished wall making sure to leave a 1/16" gap between the finished wall material and the TUB deck.

FINISH AND INSPECT THE INSTALLATION:

- 36. Fill the BATHTUB with water to the point where water enters the overflow opening. Drain the BATHTUB while inspecting all connections above and below the flooring for leaks.
- 37. Run a bead of tub and tile caulk around the bottom edge of the tub where it meets the finished floor and finished walls for alcove installation.
- 38. Wipe away any excess caulk with a wet paper towel.
- 39. Cover the BATHTUB surface with a liner or other form of protection until construction is completed.
- If further assistance is required, please contact Product Support at 1-800-927-2120 Monday through Friday, 8am - 7pm EST.

WARNING: The following basic safety precautions should always be followed when using your bathtub.

- Caution should always be exercised when entering or leaving the bathtub.
- **DANGER:** To reduce the risk of injury, do not permit children or persons with a disability to use the bathtub without close supervision.
- Keep all electrical appliances such as radios and hairdryers a safe distance from the bathtub.
- Do not use the bathtub when sleepy or drowsy, under the influence of alcohol or prescription medications or when overheated.

These guidelines have been prepared for the professional contractor to aid in the installation of:
FORMWORK 72" x 41 3/8" x 24" LITHIC FREESTANDING OR ALCOVE OVAL SIDE BATHTUB WITH CENTER DRAIN
(STYLE No. FMBT72).

All dimensions are based on original specification and are subject to change and variation.
Please consult your Design Associate for current specifications.

W A T E R W O R K S