

FORO

FRLS20

Foro Gooseneck Three Hole Deck Mounted Lavatory Faucet with Metal Cross Handles



TECHNICAL DETAILS

Deck Thickness Maximum: 1 11/16"
Deck Thickness Minimum: 5/16"
Drain Hole Diameter: 1 3/4"
Drain Style: Lift and Turn
Fittings Hole Diameter: 1 3/8"
Handle Spread Maximum: 12"
Handle Spread Minimum: 8"
Handle Turn Angle: Quarter Turn
Depth / Width: 7 13/16"
Height: 9 13/16"
Inlet Connection Size: 1/2"
Inlet Connection Type: Male with Supply Nut
Restricted Maximum Flow Rate: 1.2 gpm
Valve Material: Ceramic
Water Pressure Maximum: 85.0 psi
Water Pressure Minimum: 20.0 psi
Water Pressure Recommended: 45.0 psi

INSPIRATION

A mix of historical references, including finely etched vintage silver, come together in this twist on classical design - a wonderfully elegant formal statement.

PRODUCT FEATURES

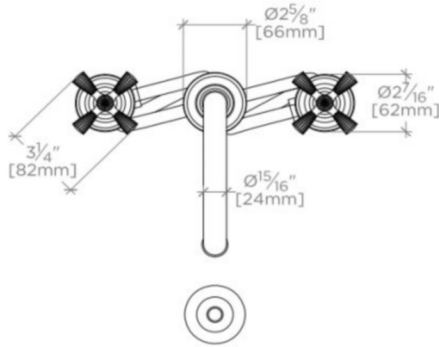
Metal cross handles
Includes European Size Lift-and-Turn Drain
Features signature engraving detail
Stocked in Nickel and Unlacquered Brass
Available in 1.2gpm (4.5L/min) flow rate

WATERWORKS

FORO

FRLS20

Foro Gooseneck Three Hole Deck Mounted Lavatory Faucet with Metal Cross Handles



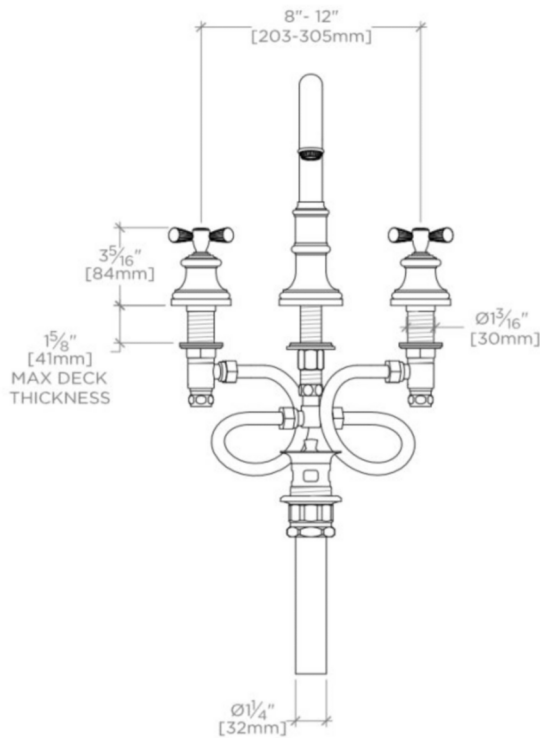
TOP VIEW

SCALE: 1/2"=1'-0"



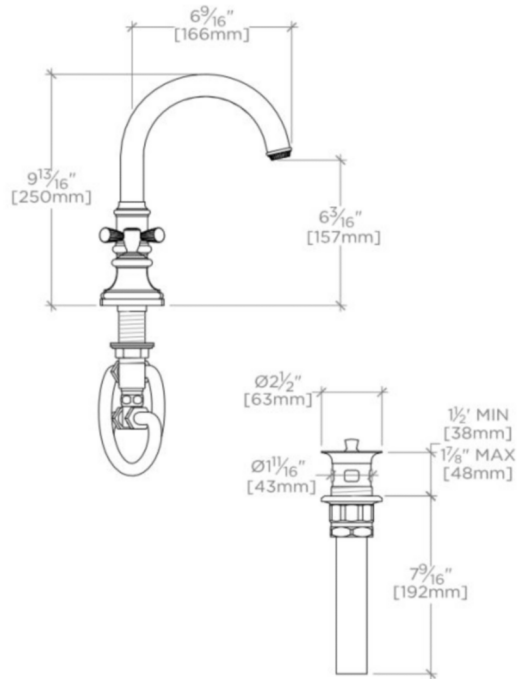
ISO VIEW

SCALE: 1/2"=1'-0"



FRONT VIEW

SCALE: 1/2"=1'-0"



SIDE VIEW

SCALE: 1/2"=1'-0"