

REGULATOR

RG2T10

Regulator Two Way Thermostatic Diverter Valve Trim with Black Lever Handle



SHOWN IN REGULATOR TWO WAY THERMOSTATIC DIVERTER VALVE TRIM WITH BLACK LEVER HANDLE| RG2T10

TECHNICAL DETAILS

Control Valve Rough-in Depth Maximum: 121 mm
Control Valve Rough-in Depth Minimum: 79 mm
Escutcheon Primary Material: Brass
Fittings Hole Diameter: 64 mm
Handle Turn Angle: Quarter Turn Each Way
Depth / Width: 89 mm
Height: 165 mm
Length: 95 mm
Primary Material: Brass
Suggested Application: Bath
Water Pressure Maximum: 6.0 bar
Water Pressure Minimum: 1.5 bar
Water Pressure Recommended: 3.0 bar

INSPIRATION

A play on industrial controls from the early 1900s, when pride was lavished on parts. Translated to handcrafted, fittings project rugged beauty through powerful, detailed shapes.

PRODUCT FEATURES

Matte Black Lever Handle

For use with a Thermostatic shower system and two waterway outlets such as a handshower, shower head, or tub spout

Roman Numeral Icons

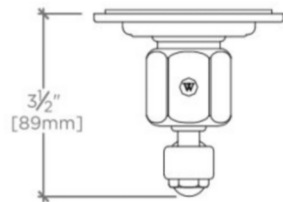
Stocked in Nickel, Chrome and Unlacquered Brass

Requires valve rough GUDV14(USA) or GU14DV(UK) sold separately.

REGULATOR

RG2T10

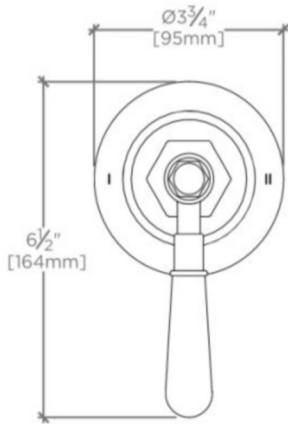
Regulator Two Way Thermostatic Diverter Valve Trim with Black
Lever Handle



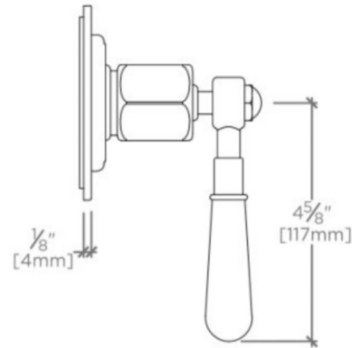
TOP VIEW SCALE: 3"=1'-0"



ISO VIEW SCALE: 3"=1'-0"



FRONT VIEW SCALE: 3"=1'-0"



SIDE VIEW SCALE: 3"=1'-0"