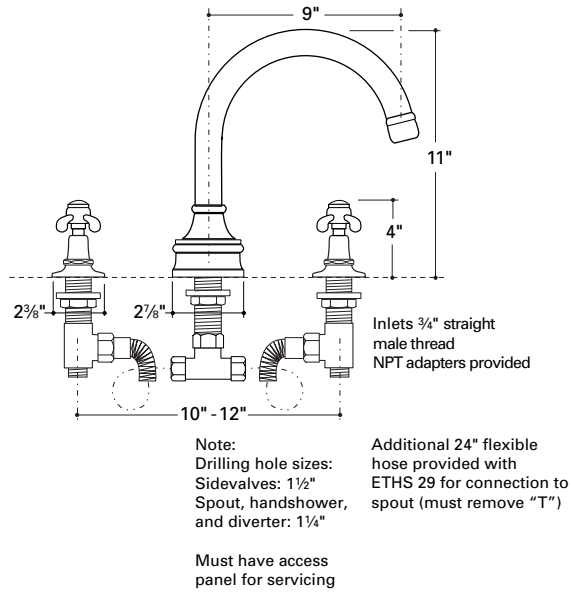
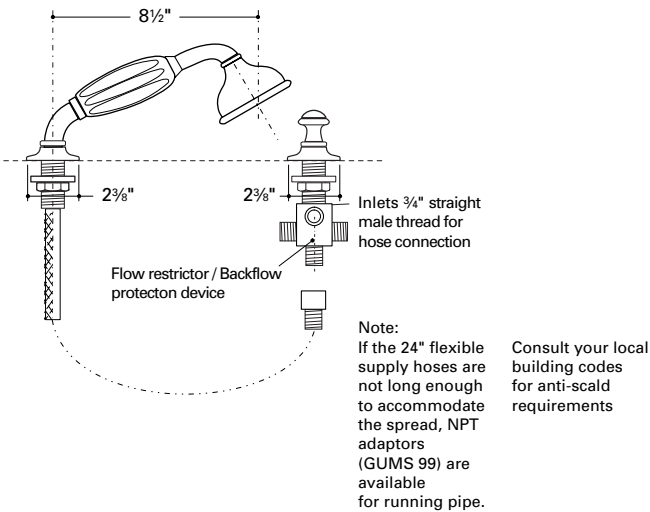


ETTU 43



EHTS 29



INSTALLATION GUIDELINES

- Use only a protected, smooth-jawed, or strap wrench on any finished surface.
- For proper installation, the deck surface should be installed prior to mounting the mixer.
- It is recommended that an access panel be provided for future service.
- Check the specifications (left) for drilling sizes and suggested centers.
- Run 3/4" supply lines for maximum water flow.
- Accessible shut-off valves, which will facilitate servicing, are recommended for the hot and cold feed lines.
- To remove the trim from the valve body, unscrew the index to expose a screw for the handle. The cover and escutcheon should be hand tight.
- DO NOT use putty on the deck fittings. Upper and lower washers are provided.
- When you screw the escutcheon onto the deck valve body, expose several threads above it. Next, screw the valve cover down until it seats. Then move the escutcheon up until it loosely meets the bottom of the cover. Finally, tighten the bottom lock nut to secure the valve to the deck.
- Once the spout is securely mounted, install the flexible hoses between the spout and valve bodies using the gaskets provided.
- If the handshower and diverter are used, do not use the "T" at the bottom of the spout. Connect the hot and cold valves to diverter with the hoses provided. A third hose is provided to connect the diverter to the spout. The handshower hose is connected to the bottom of the diverter as shown in the diagram (left).
- If the handshower and diverter are used: The diverter knob and escutcheon unscrew to facilitate mounting the diverter to the deck.
- Note for handshower: The cone-shaped connector for the handshower may be lodged in the hose escutcheon. To remove: Thread the handshower down into the hose, pull up, remove the hose end, insert the washer, and reconnect the handshower.
- After installation, unscrew and remove the aerator assembly. Carefully open the hot and cold valves fully to flush out any debris in the supply lines. Once the lines have been flushed, close the valves and reinstall the aerator assembly.
- IMPORTANT: It is necessary to check for leaks and proper function of mixer prior to being enclosed.
- If further assistance is required, please contact Product Support at 1-800-927-2120 (8am-7pm EST).