

FORO

FRLS10

Foro Low Profile Three Hole Deck Mounted Lavatory Faucet with Metal Lever Handles



SHOWN IN FORO LOW PROFILE THREE HOLE DECK MOUNTED LAVATORY FAUCET WITH METAL LEVER HANDLES | FRLS10

TECHNICAL DETAILS

Deck Thickness Maximum: 1 11/16"
Deck Thickness Minimum: 5/16"
Depth/Width: 7 1/2"
Drain Hole Diameter: 1 3/4"
Drain Style: Lift Knob
Fittings Hole Diameter: 1 3/8"
Handle Spread Maximum: 12"
Handle Spread Minimum: 8"
Handle Turn Angle: Quarter Turn
Height: 4 5/8"
Inlet Connection Size: 1/2"
Inlet Connection Type: Male with Supply Nut
Restricted Maximum Flow Rate: 1.2 gpm
Valve Material: Ceramic
Water Pressure Maximum: 85.0 psi
Water Pressure Minimum: 20.0 psi
Water Pressure Recommended: 45.0 psi

INSPIRATION

A mix of historical references, including finely etched vintage silver, come together in this twist on classical design - a wonderfully elegant formal statement.

CODES & STANDARDS

NSF/ANSI/CAN 61:Q < 1, NSF/ANSI/CAN 372, CEC, State of MA

PRODUCT FEATURES

- Metal lever handles
- Includes European size pop-up drain
- Features signature engraving detail
- Stocked in Nickel and Unlacquered Brass
- Available in 1.2gpm (4.5L/min) flow rate

CERTIFICATIONS

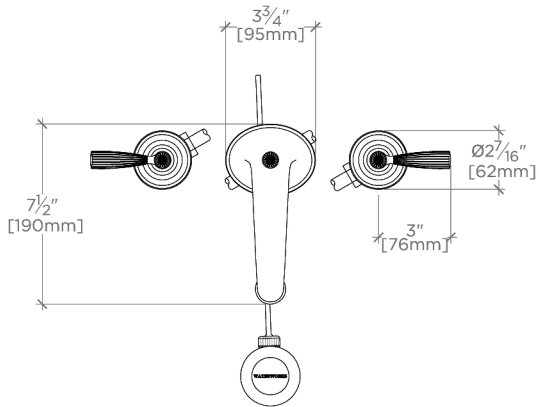
PRODUCT (NOTES)

WATERWORKS

FORO

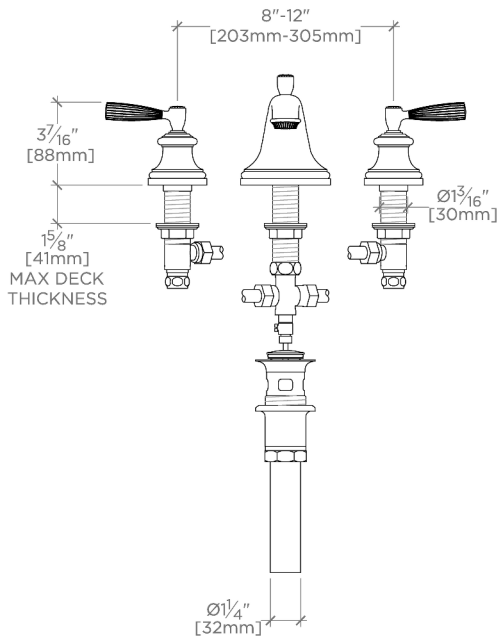
FRLS10

Foro Low Profile Three Hole Deck Mounted Lavatory Faucet with Metal Lever Handles



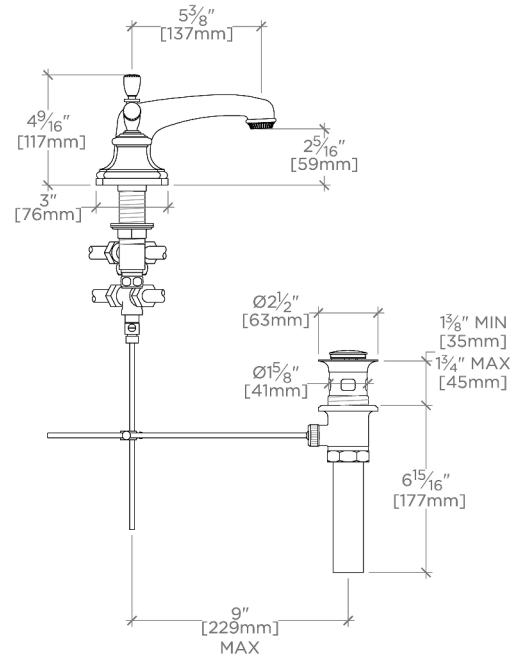
TOP VIEW

SCALE: $1\frac{1}{2}"=1'-0"$



FRONT VIEW

SCALE: $1\frac{1}{2}"=1'-0"$



SIDE VIEW

SCALE: $1\frac{1}{2}"=1'-0"$