

## REGULATOR

RG2T02

Regulator Two Way Thermostatic Diverter Valve Trim with Metal Wheel Handle



SHOWN IN REGULATOR TWO WAY THERMOSTATIC DIVERTER VALVE TRIM WITH METAL WHEEL HANDLE| RG2T02

### TECHNICAL DETAILS

Control Valve Rough-in Depth Maximum: 121 mm  
Control Valve Rough-in Depth Minimum: 79 mm  
Escutcheon Primary Material: Brass  
Fittings Hole Diameter: 64 mm  
Handle Turn Angle: Quarter Turn Each Way  
Depth / Width: 81 mm  
Height: 95 mm  
Length: 95 mm  
Primary Material: Brass  
Suggested Application: Bath  
Water Pressure Maximum: 6.0 bar  
Water Pressure Minimum: 1.5 bar  
Water Pressure Recommended: 3.0 bar

### INSPIRATION

A play on industrial controls from the early 1900s, when pride was lavished on parts. Translated to handcrafted, fittings project rugged beauty through powerful, detailed shapes.

### PRODUCT FEATURES

Metal Wheel Handle

For use with a Thermostatic shower system and two waterway outlets such as a handshower, shower head, or tub spout

Roman Numeral Icons

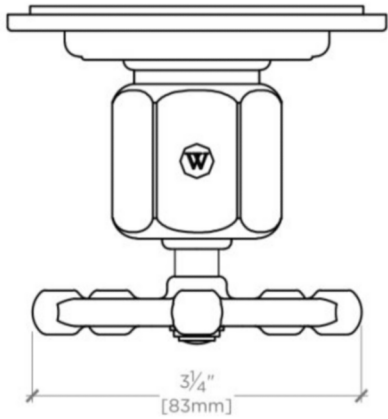
Stocked in Nickel, Chrome and Unlacquered Brass

Requires valve rough GUDV14(USA) or GU14DV(UK) sold separately.

REGULATOR

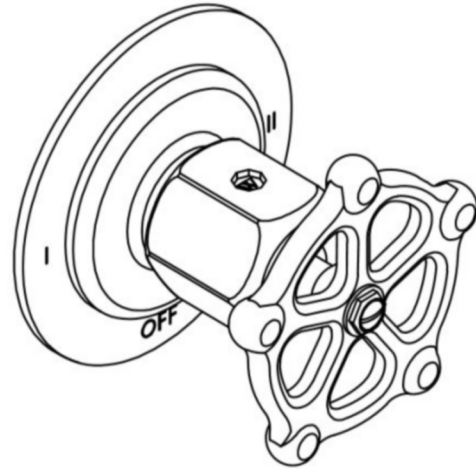
RG2T02

Regulator Two Way Thermostatic Diverter Valve Trim with Metal Wheel Handle



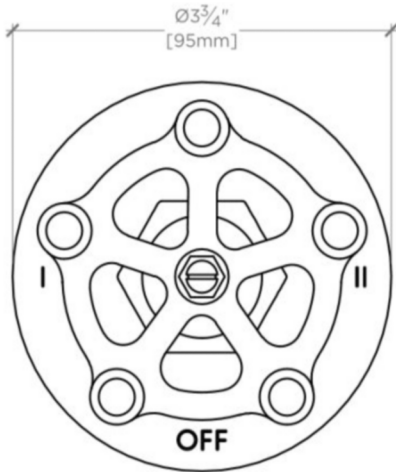
TOP VIEW

SCALE: 6"=1'-0"



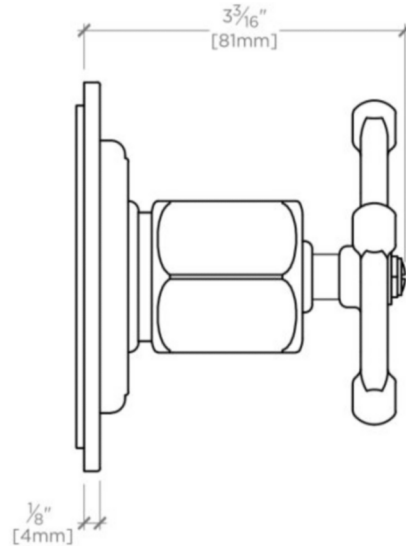
ISO VIEW

SCALE: 6"=1'-0"



FRONT VIEW

SCALE: 6"=1'-0"



SIDE VIEW

SCALE: 6"=1'-0"