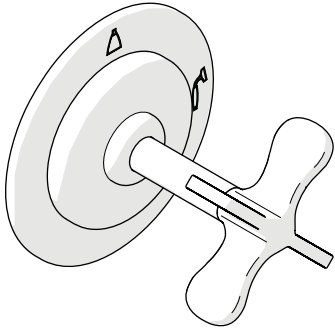
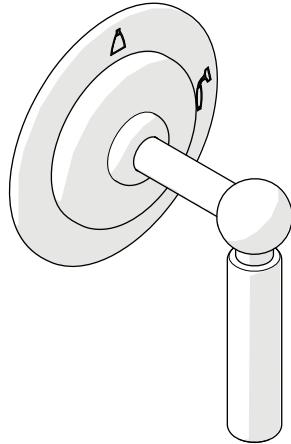


**STYLE No. LD2P01**  
Two Way for Pressure  
Balance with Graphics and  
Cross Handle



**STYLE No. LD2P10**  
Two Way for Pressure  
Balance with Graphics and  
Lever Handle



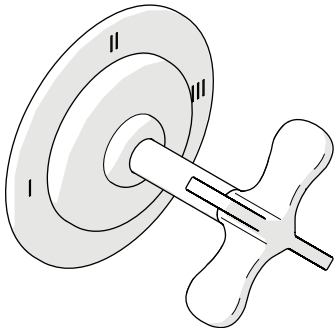
**SPECIFICATIONS:**

Control Valve Rough-in Depth Maximum: 3-5/8" [92mm]  
Control Valve Rough-in Depth Minimum: 2-7/8" [73mm]  
Fitting Hole Diameter: Ø2-1/2" [64mm]

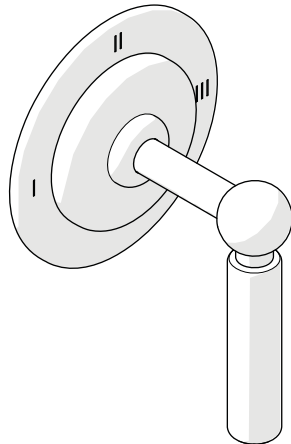
**REQUIRED PLUMBING DETAILS:**

Universal Two Way Diverter Valve without Shutoff for  
Pressure Balance Shower Systems  
**STYLE No. GUDV23 (SOLD SEPARATELY)**

**STYLE No. LD3P01**  
Three Way for Pressure  
Balance with Roman  
Numerals and Cross Handle



**STYLE No. LD3P10**  
Three Way for Pressure  
Balance with Roman  
Numerals and Lever Handle



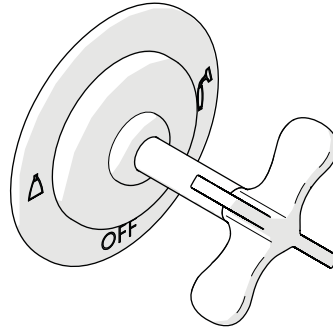
**SPECIFICATIONS:**

Control Valve Rough-in Depth Maximum: 3-5/8" [92mm]  
Control Valve Rough-in Depth Minimum: 2-7/8" [73mm]  
Fitting Hole Diameter: Ø2-1/2" [64mm]

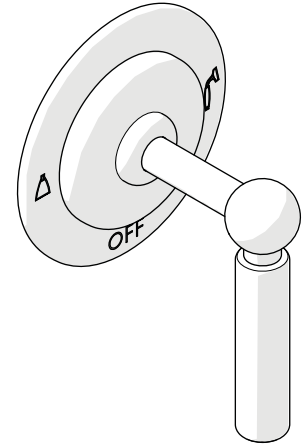
**REQUIRED PLUMBING DETAILS:**

Universal Three Way Diverter Valve without Shutoff for  
Pressure Balance Shower Systems  
**STYLE No. GUDV65 (SOLD SEPARATELY)**

**STYLE No. LD2T01**  
Two Way for Thermostatic  
with Graphics and Cross  
Handle



**STYLE No. LD2T10**  
Two Way for Thermostatic  
with Graphics and Lever  
Handle



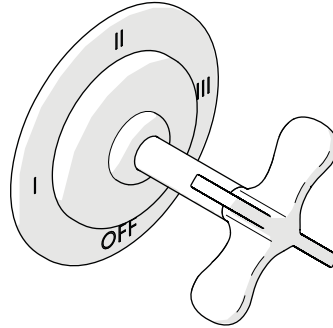
**SPECIFICATIONS:**

Control Valve Rough-in Depth Maximum: 4-1/4" [108mm]  
Control Valve Rough-in Depth Minimum: 3-1/4" [83mm]  
Fitting Hole Diameter: Ø2-1/2" [64mm]

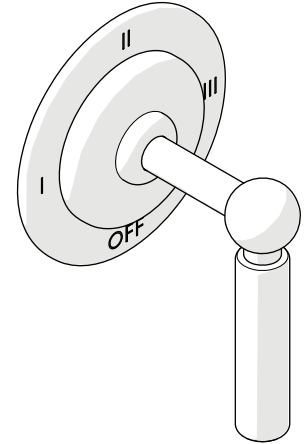
**REQUIRED PLUMBING DETAILS:**

Universal Two Way Diverter Valve with Shutoff for  
Thermostatic Shower Systems  
**STYLE No. GUDV14 (SOLD SEPARATELY)**

**STYLE No. LD3T01**  
Three Way for Thermostatic  
with Roman Numerals and  
Cross Handle



**STYLE No. LD3T10**  
Three Way for Thermostatic  
with Roman Numerals and  
Lever Handle



**SPECIFICATIONS:**

Control Valve Rough-in Depth Maximum: 4-1/4" [108mm]  
Control Valve Rough-in Depth Minimum: 3-1/4" [83mm]  
Fitting Hole Diameter: Ø2-1/2" [64mm]

**REQUIRED PLUMBING DETAILS:**

Universal Three Way Diverter Valve with Shutoff for  
Thermostatic Shower Systems  
**STYLE No. GUDV66 (SOLD SEPARATELY)**

These guidelines have been prepared for the professional contractor to aid in the installation of:  
LUDLOW DIVERTER VALVE TRIM FOR PRESSURE BALANCE (STYLE No. LD2P01, LD2P10, LD3P01, LD3P10) &  
LUDLOW DIVERTER VALVE TRIM FOR THERMOSTATIC (STYLE No. LD2T01, LD2T10, LD3T01, LD3T10).  
All dimensions are based on original specification and are subject to change and variation.  
Please consult your Design Associate for current specifications.

**WATERWORKS**  
STUDIO

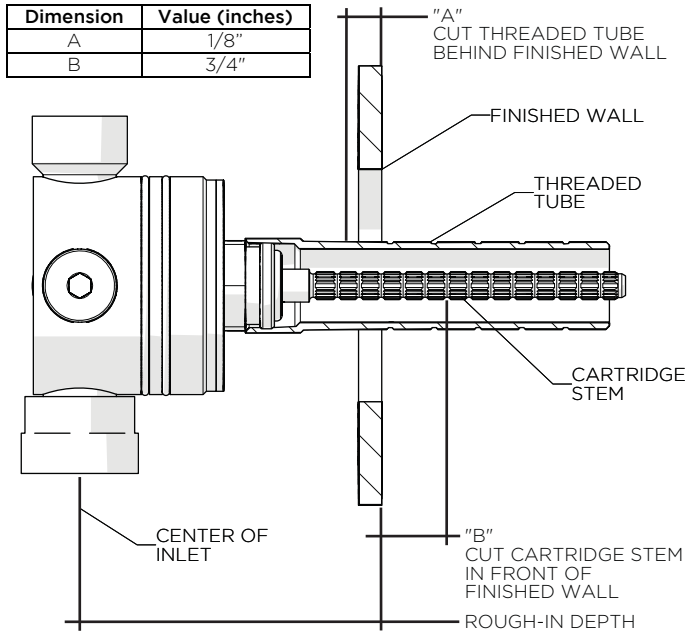
**IMPORTANT:**

- To ensure this product is installed properly, you must read and follow these guidelines.
- The owner/user of this product must keep this information for future reference.
- This product must be installed with a Universal Two or Three Way Diverter Valve (SOLD SEPARATELY). Please refer to the specific valve installation guidelines for rough-in requirements.
- This product must be installed by a professional licensed contractor. Be sure your installation conforms to federal state, and local codes. In the State of Massachusetts, all installations must comply with the rules and regulations set forth within 248 CMR.
- This product must be onsite prior to rough-in, this allows the installer to visualize the installation.
- Inspect this product to ensure you have all the parts required for proper installation.
- Use only a strap wrench or protected/smooth-jaw wrench on any finished surface.
- The use of certain plumber's putty may stain stone or tile surfaces.

**DIVERTER VALVE INSTALLATION:**

- **WARNING:** If the VALVE is roughed in too shallow, the TRIM cannot be installed correctly.
- See Figure - 01 for Steps 1 - 4.

Dimension	Value (inches)
A	1/8"
B	3/4"

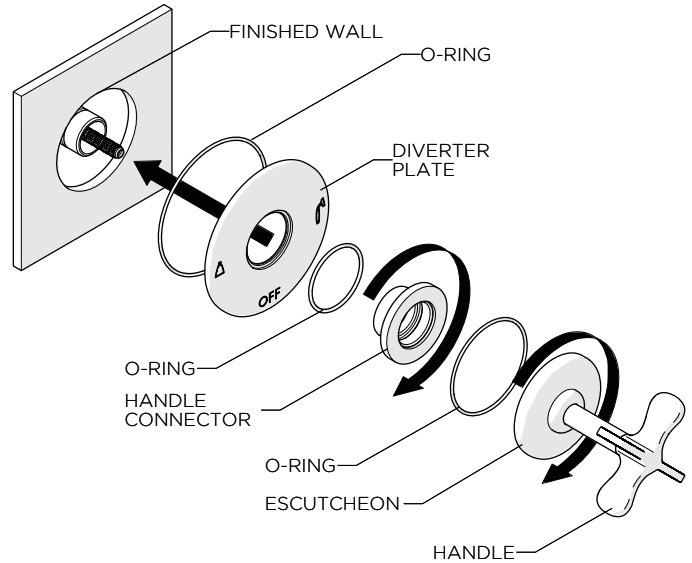


**FIGURE - 01**

1. Remove the TILE GUARD from the VALVE.
2. Mark the THREADED TUBE 1/8" behind the finished wall as shown in Figure - 01 then remove and cut the TUBE.
3. Mark the CARTRIDGE STEM 3/4" in front of the finished wall as shown in Figure -01 then cut the STEM.
4. Thread the TUBE back onto the VALVE.

**TRIM INSTALLATION:**

- See Figure - 02 for steps 5 - 6.



**FIGURE - 02**

5. While holding the DIVERTER PLATE against the finished wall, thread the HANDLE CONNECTOR onto the THREADED TUBE and securely tighten. Make sure to use the O-RINGS provided.
6. With the HANDLE in the desired orientation, thread the ESCUTCHEON into the HANDLE CONNECTOR making sure the O-RING is between the ESCUTCHEON and the DIVERTER PLATE. Securely tighten the ESCUTCHEON.

**INSPECT INSTALLATION:**

7. Turn on the hot and cold supplies and verify all the VALVES are functioning properly.
- If further assistance is required, please contact Product Support at 1-800-927-2120 Monday through Friday, 8am - 6pm EST.
  - Refer to the separate Service Parts Documents for available replacement parts.

These guidelines have been prepared for the professional contractor to aid in the installation of:  
LUDLOW DIVERTER VALVE TRIM FOR PRESSURE BALANCE (STYLE No. LD2P01, LD2P10, LD3P01, LD3P10) &  
LUDLOW DIVERTER VALVE TRIM FOR THERMOSTATIC (STYLE No. LD2T01, LD2T10, LD3T01, LD3T10).  
All dimensions are based on original specification and are subject to change and variation.  
Please consult your Design Associate for current specifications.