

REGULATOR

RGVC02

Regulator Volume Control Valve Trim with Metal Wheel Handle



SHOWN IN REGULATOR VOLUME CONTROL VALVE TRIM WITH METAL WHEEL HANDLE| RGVC02

TECHNICAL DETAILS

Control Valve Rough-in Depth Maximum: 108 mm
Control Valve Rough-in Depth Minimum: 83 mm
Escutcheon Primary Material: Brass
Fittings Hole Diameter: 35 mm
Handle Turn Angle: Quarter Turn
Depth / Width: 78 mm
Height: 79 mm
Integrated Diverter: N
Integrated Spray: N
Length: 79 mm
Primary Material: Brass
Suggested Application: Bath
Water Pressure Maximum: 6.0 bar
Water Pressure Minimum: 1.5 bar
Water Pressure Recommended: 3.0 bar

INSPIRATION

A play on industrial controls from the early 1900s, when pride was lavished on parts. Translated to handcrafted, fittings project rugged beauty through powerful, detailed shapes.

PRODUCT FEATURES

Metal Wheel Handle

Used to control water flow to a single waterway outlet such as a shower head, handshower, or tub spout

Stocked in Nickel, Chrome and Unlacquered Brass

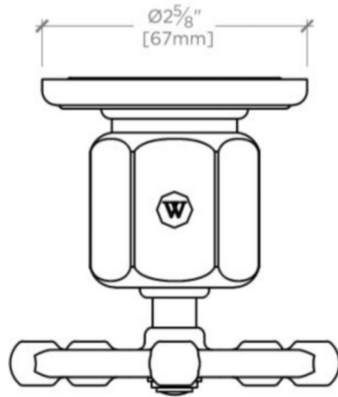
Requires a 3/4" Volume Control Valve Rough: Counterclockwise On: US: GUVVC16 and UK

GU16VC or Clockwise On: US: GUVVC17 and UK: GU17VC sold separately

REGULATOR

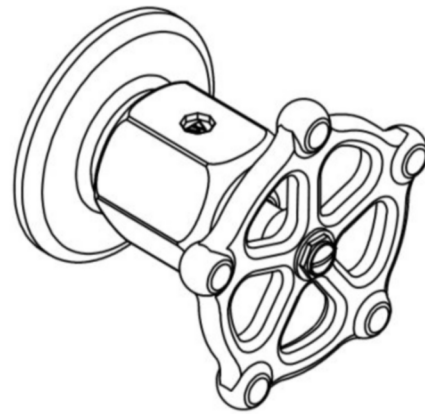
RGVC02

Regulator Volume Control Valve Trim with Metal Wheel Handle



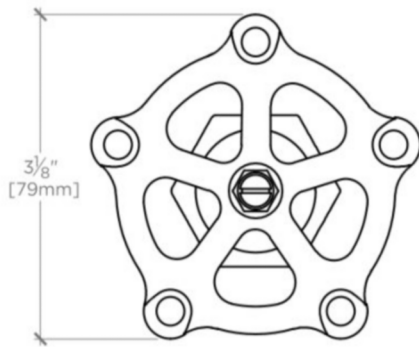
TOP VIEW

SCALE: 6"=1'-0"



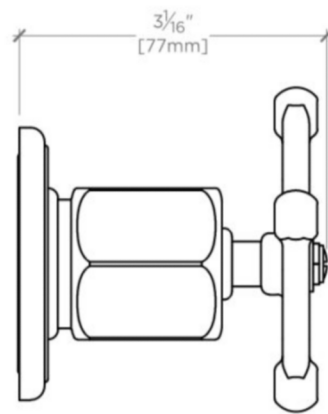
ISO VIEW

SCALE: 6"=1'-0"



FRONT VIEW

SCALE: 6"=1'-0"



SIDE VIEW

SCALE: 6"=1'-0"