

## BOULEVARD

BDTH58

Boulevard Metal Lever Handle Thermostatic with Metal Cross Handle Shutoff Trim



SHOWN IN NICKEL

### TECHNICAL DETAILS

Control Valve Rough-in Depth Maximum: 7 3/16"  
Control Valve Rough-in Depth Minimum: 1 7/8"  
Escutcheon Primary Material: Brass  
Depth / Width: 2 15/16"  
Height: 10 3/4"  
Integrated Diverter: N  
Length: 6 15/16"  
Primary Material: Brass  
Suggested Application: Bath

### INSPIRATION

Drawing inspiration from found objects of the 1930's, Boulevard evokes a spirit of extravagance, exuding a strong silhouette, lavish scale, and elegant decoration. The crisp detail and repeated curves require both machine and the artisan hands.

### PRODUCT FEATURES

Brass metal is used for all trim and valve components.  
The manufacturing process encompasses casting, turning, forging, hand-fitting and hand polishing.  
Solidly sized and generous in scale, decorative elements convey a sense of substance.

### CODES & STANDARDS

Code # BDSV58: ASME A112.18.1, CSA B125, IAPMO, State of MA

### CERTIFICATIONS



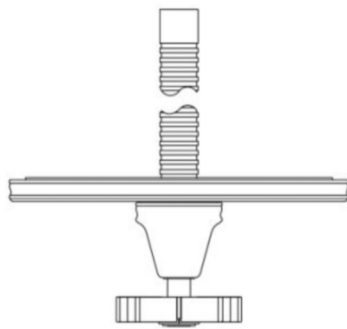
### PRODUCT (NOTES)

Valve sold separately.

## BOULEVARD

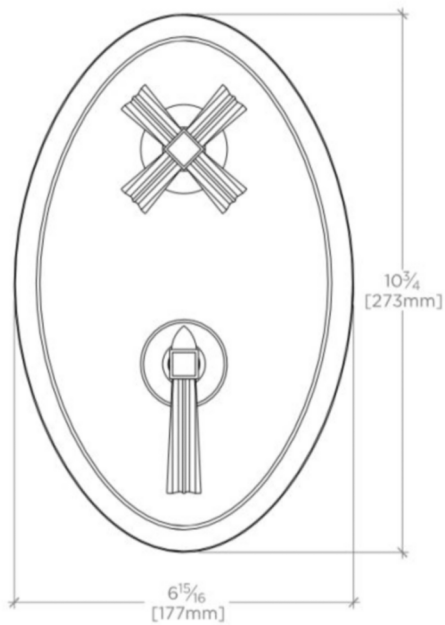
BDTH58

Boulevard Metal Lever Handle Thermostatic with Metal Cross  
Handle Shutoff Trim



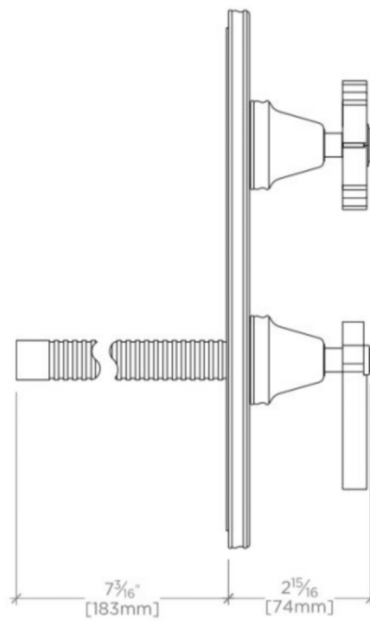
TOP VIEW

SCALE: 3"=1'-0"



FRONT VIEW

SCALE: 3"=1'-0"



SIDE VIEW

SCALE: 3"=1'-0"