

BOULEVARD

BDBF01

Boulevard One Hole Bidet Fitting with Lever Handles



SHOWN IN BOULEVARD ONE HOLE BIDET FITTING WITH LEVER HANDLES| BDBF01

TECHNICAL DETAILS

ADA Compliance: Yes
 Adjustable versus Fixed Spray: Fixed Spray
 Deck Thickness Maximum: 1 1/2"
 Deck Thickness Minimum: 3/16"
 Drain Assembly Materials: Brass
 Drain Depth Maximum: 1 3/4"
 Drain Style: Pop-up
 Escutcheon Primary Material: Brass
 Fittings Hole Diameter: 1 3/8"
 Handle Spread Maximum: 5 1/4"
 Handle Spread Minimum: 5 1/4"
 Handle Turn Angle: Quarter Turn
 Depth / Width: 4"
 Drain Depth Minimum: 1 3/8"
 Height: 4 1/4"
 Inlet Connection Size: 3/8"
 Inlet Connection Type: O.D. Supply Tubing
 Length: 7 1/2"
 Number of Handles: Two
 Number of Holes: One Hole
 Pivot: N
 Primary Material: Brass
 Spout Swivel: Y
 Suggested Application: Bath
 Valve Material: Ceramic
 Water Pressure Maximum: 85.0 psi
 Water Pressure Minimum: 20.0 psi
 Water Pressure Recommended: 45.0 psi

INSPIRATION

Inspiration from 1930s objects evokes extravagance: a strong silhouette, lavish scale and elegant decoration. Machine and artisan hands yield crisp details and curves.

CODES & STANDARDS

Code # BDBF01: Certified with IAPMO & State of MA. Compliant with ASME A112.18.1/CSA B125.1, ASME A112.18.2/CSA B125.2, ANSI A117.1 ADA & ASTM E 1621-05

PRODUCT FEATURES

Brass metal is used for all trim and valve components.
 The manufacturing process encompasses casting, turning, forging, hand-fitting and hand polishing.
 Solidly sized and generous in scale, decorative elements convey a sense of substance.

CERTIFICATIONS

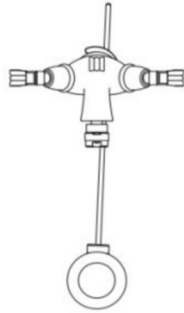


WATERWORKS

BOULEVARD

BDBF01

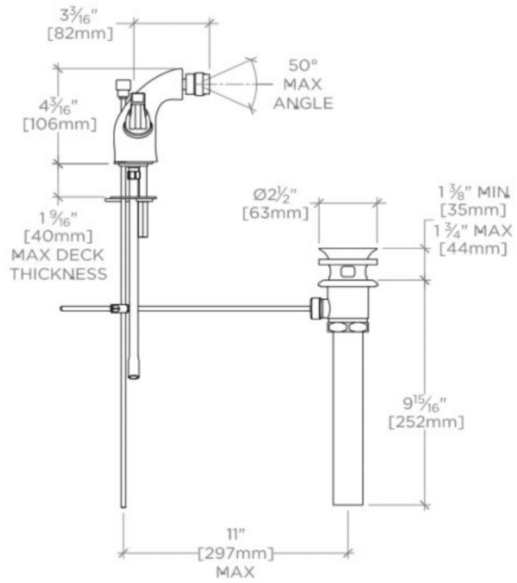
Boulevard One Hole Bidet Fitting with Lever Handles



TOP VIEW SCALE: 1 1/2"=1'-0"



FRONT VIEW SCALE: 1 1/2"=1'-0"



SIDE VIEW SCALE: 1 1/2"=1'-0"