

HENRY

HNVN01

Henry Single Metal / Mirror Vanity 24" x 20 11/16" x 32 1/4"



TECHNICAL DETAILS

ADA Compliance: No
Adjustable Levelers / Feet: Y
Bolt Cap Material: NA
Diameter of Legs / Tubes: 1"
Hardware Primary Material: Brass
Hardware Shape: Pull
Hinge Primary Material: Brass
Depth / Width: 20 11/16"
Height: 32 1/4"
Installation Type: Freestanding
Leg Material: Metal
Length: 24"
Number of Holes: Zero Holes
Number of Legs: Four
Outer Rim Shape: Rectangular
Primary Material: Metal / Mirror
Rough-in Supply Height Recommended: 21"
Rough-in Waste Height Recommended: 19"
Sink Visibility: N
Stain Resistance: N
Storage Capacity: 8424.0 cubic_foot
Storage Type: Cabinet
Suggested Application: Bath
Top Attachment Method: Top rests on top of vanity

INSPIRATION

Influenced by the connection of industry and art Henry easily transitions between modern, traditional, utilitarian and classic settings.

PRODUCT FEATURES

Simple lines, elegant proportions and function have been incorporated into the design of our Henry vanity. The layering of metal and beveled mirror is at once refined and unmistakably complimentary to the other materials in the space.

The Henry vanity is an effortlessly sophisticated solution for practical storage that is modern and tailored and very stylish with a hint of glamour.

Slab countertop and sink sold separately from washstand. Custom options available

PRODUCT (NOTES)

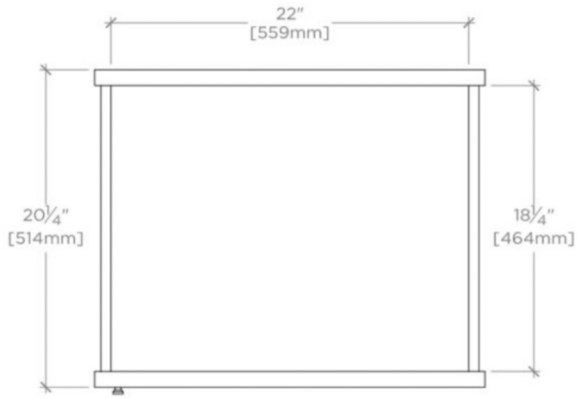
Slab countertop and sink sold separately from washstand.

WATERWORKS

HENRY

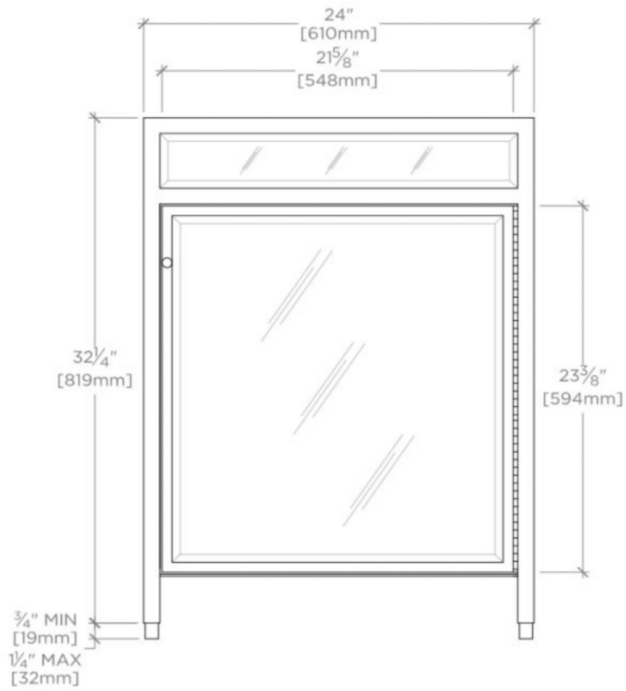
HNVN01

Henry Single Metal / Mirror Vanity 24" x 20 11/16" x 32 1/4"



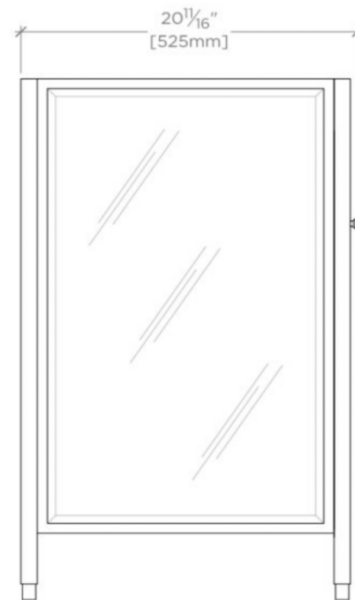
TOP VIEW

SCALE: 1"=1'-0"



FRONT VIEW

SCALE: 1"=1'-0"



SIDE VIEW

SCALE: 1"=1'-0"