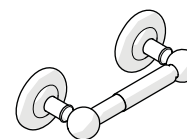


INSTALLATION GUIDELINES

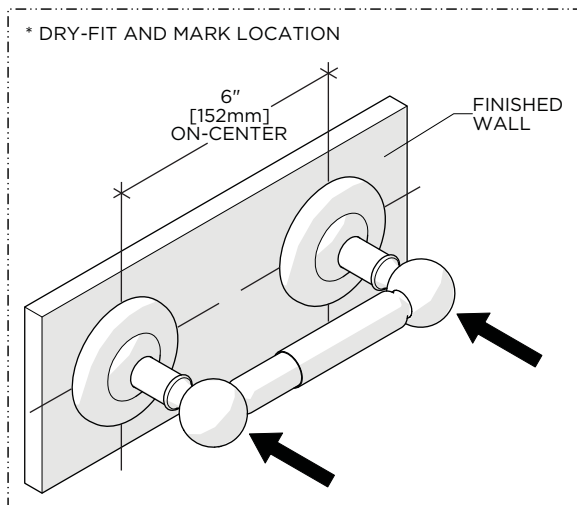


STYLE No. RGPH01

Regulator Wall Mounted Three Piece Paper Holder

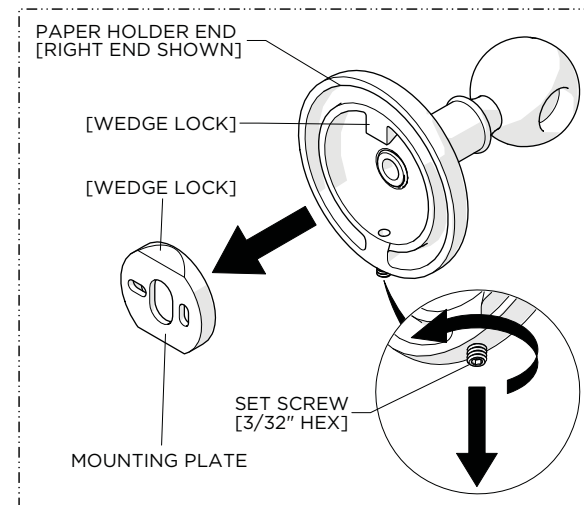
IMPORTANT:

- To ensure this product is installed properly, you must read and follow these guidelines.
- The owner/user of this product must keep this information for further reference.
- This product must be installed by a professional licensed contractor.
- Inspect this product to ensure you have all the parts required for proper installation.
- If further assistance is required, please contact Product Support at 1-800-927-2120 Monday through Friday, 8am - 6pm EST.
- Refer to the separate Service Parts Documents for available replacement parts.

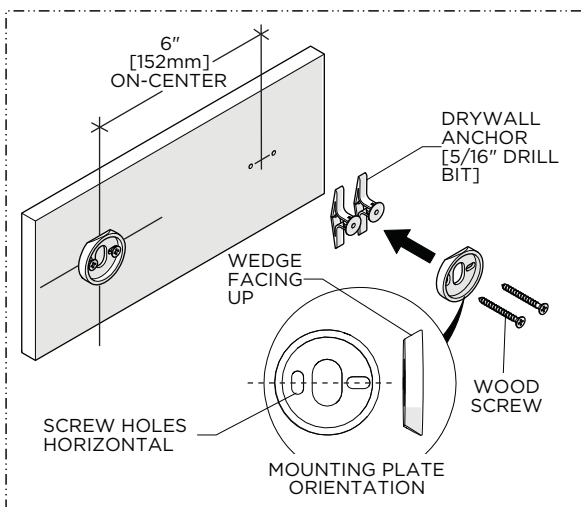


1. Dry-fit the product to the finished wall and mark the ideal location making sure to hold the product level.

NOTE: Verify the 6" [152mm] on-center spread.

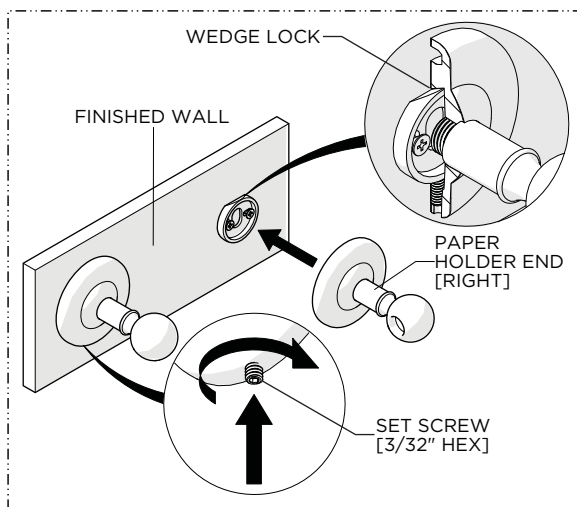


2. Loosen, but do **NOT** remove, the SET SCREW on the bottom of each PAPER HOLDER END using a 3/32" HEX KEY and remove the MOUNTING PLATES.



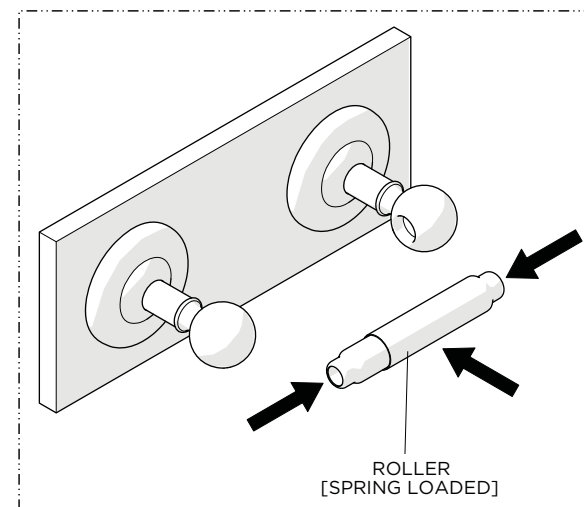
3. Using the previous marks as a reference, install the MOUNTING PLATES using the SCREWS and ANCHORS provided.

CAUTION: Ensure the PLATES are in the correct orientation and the 6" [152mm] on-center spread.



4. Place both PAPER HOLDER ENDS over the MOUNTING PLATES and securely tighten the SET SCREWS using a 3/32" HEX KEY.

NOTE: The SET SCREWS should face towards the bottom.



5. Install the ROLLER.

NOTE: The ROLLER is spring loaded.