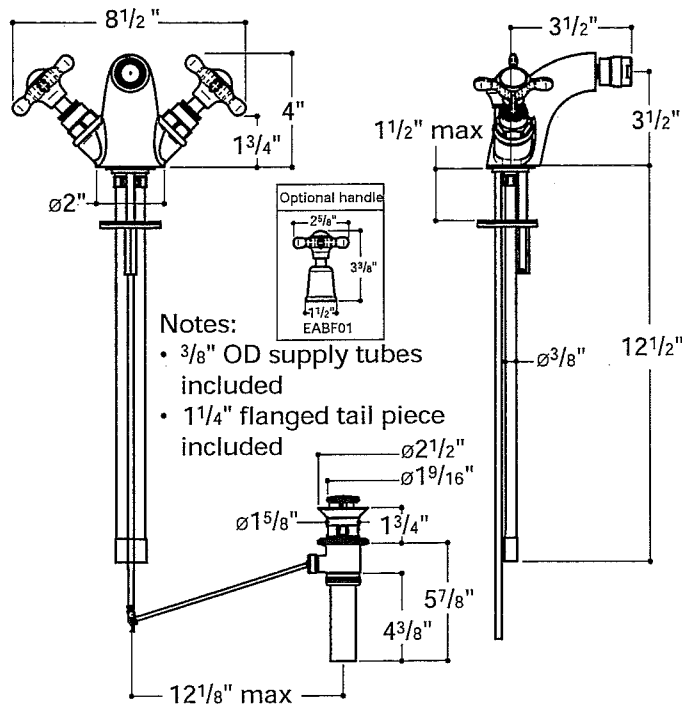


EABF11 (uncovered)  
EABF01 (covered)



**Notes:**

- 3/8" OD supply tubes included
- 1 1/4" flanged tail piece included

**INSTALLATION GUIDELINES:**

**IMPORTANT:**

- To ensure this product is installed properly, you must read and follow these guidelines.
- The owner/user of this fitting must keep this information for future reference.
- Be sure your installation conforms to federal, state, and local codes.
- Refer to the specification and assembly drawings attached. Fitting is sold partially assembled but shown fully disassembled for illustrative and service purposes only.
- Inspect this product to assure you have all parts required for proper installation.
- Use only a strap wrench or protected/smooth-jaw wrench on any finished surface.
- If possible, install the bidet fitting assembly on the bidet before setting.
- Do NOT use putty during this installation.

**ROUGH IN:**

1. Complete the waste and supply rough-in based on the specifications of the bidet. You may use supplies and a drain that pass through the floor or pass through the wall.

**SPOUT AND DRAIN INSTALLATION:**

2. Remove the spout attachment hardware (20,21,23) from the spout. Do NOT remove the threaded rod (22).
3. With the supply hoses (24) and lift rod assembly (12-15) installed, insert the spout assembly (1-19) through the spout hole of the mounting surface.
4. Place the rubber spout gasket (20) and then spout washer (21) onto the threaded rod, making sure the supply tubes do not get pinched and the lift rod operates smoothly through the opening of the spout washer.
5. Tighten the 10mm barrel nut (23) onto the threaded rod to secure the spout to the mounting surface. Note that this nut can be flipped to accommodate different mounting surface thicknesses.
6. Remove the upper collar (28) from the pop-up drain assembly and discard the upper gasket (29).
7. Set the upper collar in the lavatory drain opening using a clear adhesive silicone.
8. Reattach the lower drain assembly (34) using the gasket (30) provided and then tighten until fully secured. A clear adhesive silicone may be used to ensure a water-tight seal between the gasket and bidet.
9. Remove the knurled nut (31) from the lower drain assembly and then insert the horizontal pivot rod (32) and reattach the knurled nut.
10. Connect the vertical lift rod to the horizontal pivot rod using the linkage (15) provided. Note that these rods may be field cut.
11. Attach the tail piece (36,37) using the gasket (35) provided.
12. Complete the drain connection based on the rough-in specifications.
13. Connect the supply tubes (24) to the water supply valves (not supplied).

**INSPECT THE INSTALLATION:**

14. Unscrew and remove the aerator assembly (16-17) which includes a 2.2 GPM flow restrictor (16)

12/03 These guidelines have been prepared for the professional contractor to aid in the installation of:  
**EASTON® BIDET FITTING (EABF11 & EABF01)**  
All dimensions are based on original specifications and are subject to change and variation.  
Please consult your Design Associate for current specifications.

W A T E R W O R K S®

15. Carefully open the hot and cold valves to flush out any debris in the supply lines.

16. Inspect all connections for leaks.

17. Close the drain and then fill the bidet with water to make sure the drain stopper (25) operates and seals properly.  
 17b. To adjust the height of the drain stopper, turn the adjustment screw (27) at the base of the stopper and then tighten the locking nut to secure.  
 17c. The linkage (15) position will effect drain stopper function, adjust as needed.

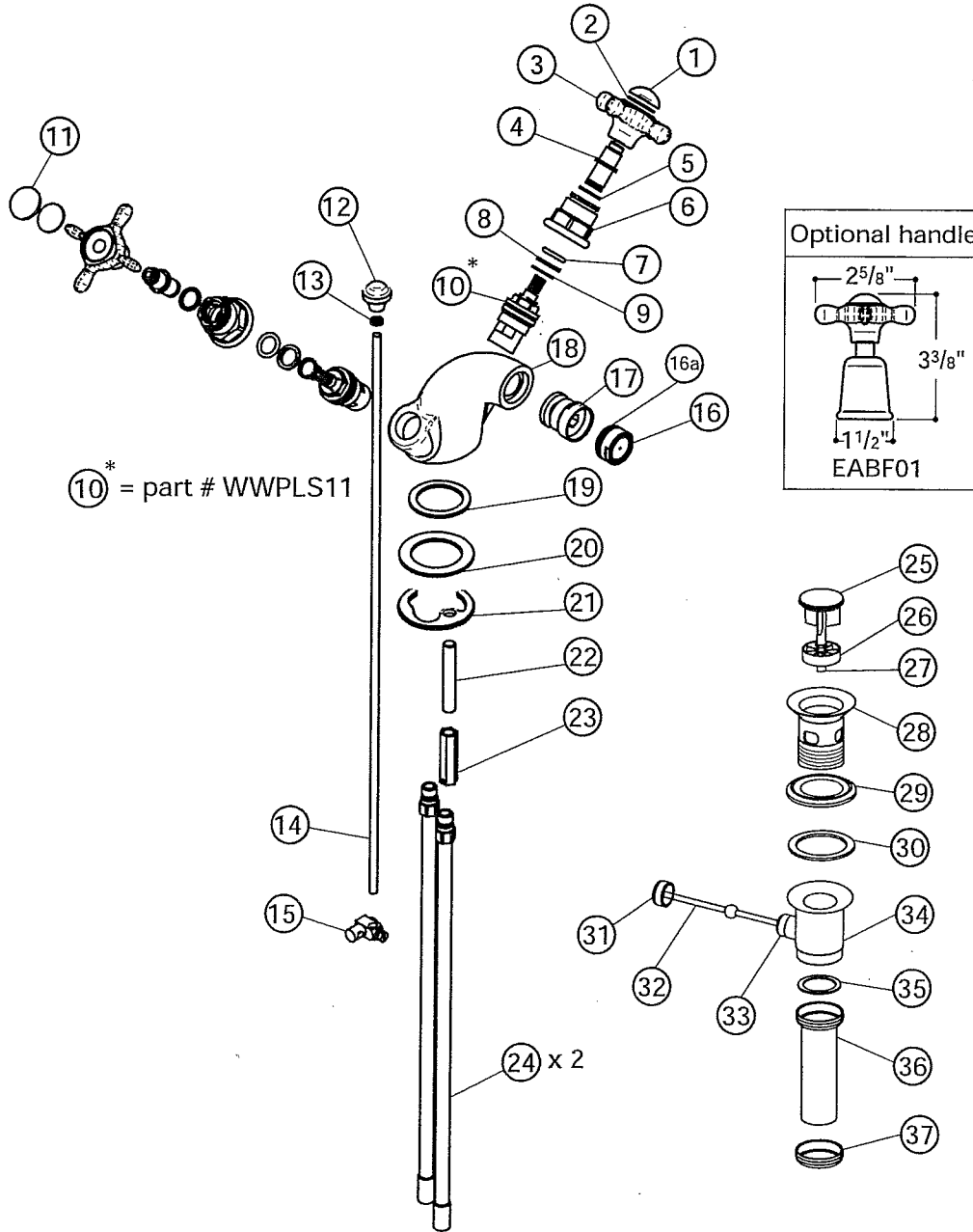
18. Close the valves and reinstall the aerator assembly.

➤ If further assistance is required, please contact Product Support at 1-800-927-2120 (8am-7pm EST).

These guidelines have been prepared for the professional contractor to aid in the installation of:  
**EASTON® BIDET FITTING (EABF11 & EABF01)**

12/03 All dimensions are based on original specifications and are subject to change and variation.  
 Please consult your Design Associate for current specifications.

W A T E R W O R K S®



These guidelines have been prepared for the professional contractor to aid in the installation of:  
**EASTON® BIDET FITTING (EABF11 & EABF01)**

All dimensions are based on original specifications and are subject to change and variation.  
 Please consult your Design Associate for current specifications.