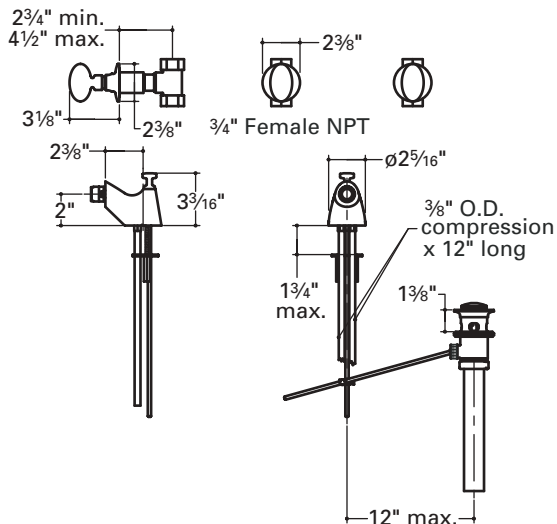
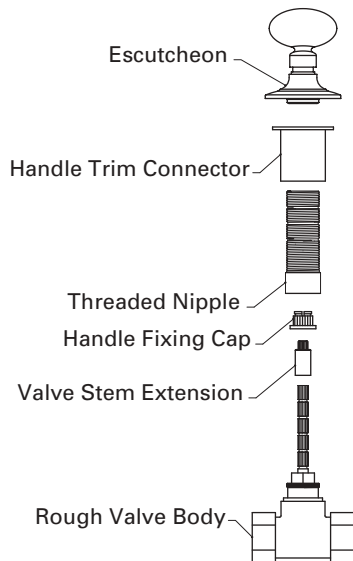
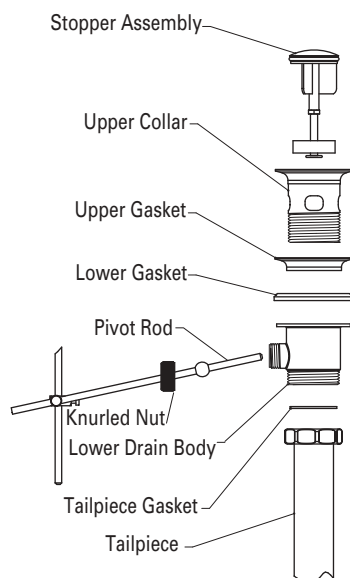


**OPBF02-K****Figure 1****Figure 2****NOTES**

- Use only a protected, smooth-jawed, or strap wrench on any finished surface.
- A low-level bidet trap (JUBF 94) for wall rough-in is available.

**INSTALLING HOT AND COLD CONTROL VALVES: (see fig. 1) ROUGH-IN:**

- Install valve by using 3/4" M by 1/2" C reducing adapter.
- Install both valves in the wall at the recommended depths. Ensure the valves are installed with the water flowing in the direction indicated. The valves should be installed at a height and spread comfortable to the user (e.g. 8" O.C. and 28" from finished floor).
- Separate service stops downstream will facilitate the servicing of the control valves.
- Pipe the control valves to 3/8" IPS finished piped nipples with flange and compression adapter (not included).

**FINISH:**

- Screw on the handle trim and connector together. Then thread the trim assembly onto the valve until fully seated.
- Measure from the base of the escutcheon to the wall. Remove the trim assembly and retain this measurement.
- Cut the valve stem and threaded sleeve so that the trim becomes flush with the wall. The amount cut from the valve stem and threaded sleeve should be the same as the distance measured in the previous step.
- Slide the valve stem extension and handle fixing cap over the valve stem. Thread the handle trim assembly onto the threaded sleeve. Push handle to lock onto the fixing cap.
- Check to ensure the escutcheon is flush with the finished wall. If necessary, cut the valve stem and threaded sleeve further to make flush.

**INSTALLING THE BIDET SPOUT:**

- Unscrew the locking barrel nuts at the base of the fitting to release the mounting plate and gasket. Then insert the fitting through the mounting hole and secure by re-attaching and tightening the barrel nuts.
- Connect the 3/8" supply tubes to the hot and cold water supplies.

**INSTALLING THE POP-UP DRAIN: (see fig. 2)**

- Remove the upper collar from the pop-up drain assembly and discard the upper gasket.
- Set the upper collar in the drain opening using a clear adhesive silicone.
- Re-attach the lower drain assembly using the gasket provided. Tighten until fully secured and the side connection is facing the wall. A clear adhesive silicone may be used to ensure a water-tight seal between the gasket and the bidet fixture.
- Remove the knurled nut from the side connection of lower drain assembly. Then insert the horizontal pivot rod and re-attach the knurled nut.
- Insert the vertical lift rod through the bidet body and connect to the pivot rod, using the linkage provided (if necessary, the rods may be field cut).
- To adjust the height of the drain stopper turn the adjustment screw at the base of the stopper and tighten the locking nut upward to secure.
- Attach the flanged tailpiece to the lower drain assembly using the gasket provided. Then connect the tailpiece to the drain line.
- Check all connections for leaks.
- After installation, unscrew and remove the aerator assembly. Carefully open the hot and cold valves fully to flush out any debris in the supply lines. Once the lines have been flushed, close the valves and reinstall the aerator assembly.

- If further assistance is required, please contact Product Support at: 1-800-927-2120 (8AM-7PM EST)

These guidelines have been prepared for the professional contractor to aid in the installation of:  
**OPUS SINGLE HOLE BIDET FITTING WITH EGG CRYSTAL HANDLE (OPBF02-K)**

11/02

All dimensions are based on original specifications and are subject to change and variation. Please consult your Design Associate for current specifications.

W A T E R W O R K S<sup>®</sup>