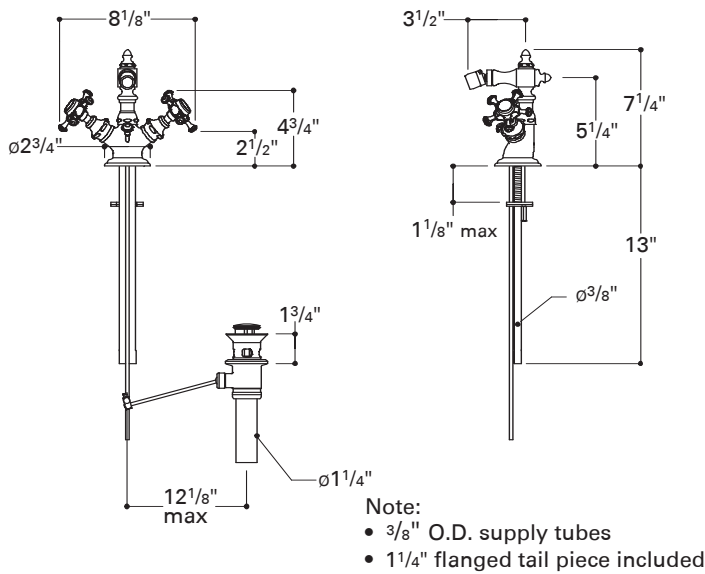


## AMBF19



**Note:**

- 3/8" O.D. supply tubes
- 1/4" flanged tail piece included

### NOTES

- Use only a protected, smooth-jawed, or strap wrench on any finished surface.
- A low-level bidet trap (JUBF 94) for wall rough-in is available.
- Rough-in dimensions supplied with bidet.

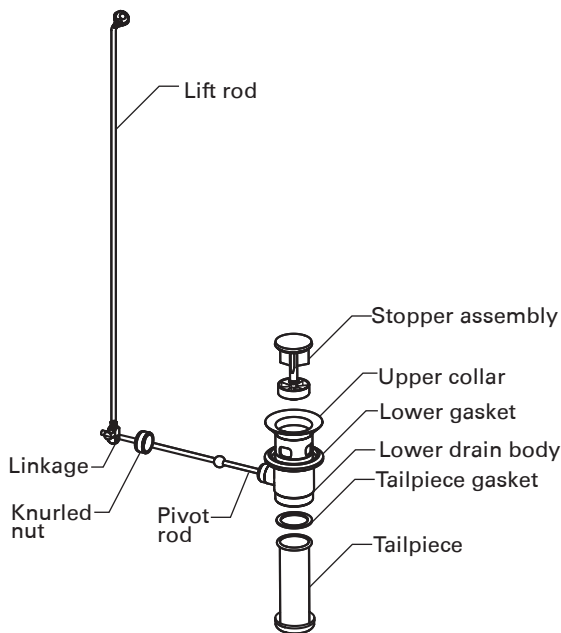
### INSTALLATION

- Unscrew the barrel nut at the base of the fitting to release the mounting plate and gasket. Then, insert the fitting through the mounting hole and secure by re-attaching and tightening the barrel nut.
- Connect the 3/8" O.D. supply tubes to the hot and cold water supply.

### INSTALLING THE POP-UP DRAIN (see fig. 1)

- Remove the upper collar from the pop-up drain assembly and discard the upper gasket.
- Set the upper collar in the drain opening, using a clear adhesive silicone.
- Re-attach the lower drain assembly, using the gasket provided. Tighten until fully secured and the side connection is facing the wall. A clear adhesive silicone may be used to ensure a water-tight seal between the gasket and bidet fixture.
- Remove the knurled nut from the side connection of lower drain assembly. Then, insert the horizontal pivot rod and re-attach the knurled nut.
- Insert vertical lift rod through the bidet body and connect to the horizontal pivot rod, using the linkage provided (if necessary, the rods may be field cut).
- To adjust the height of the drain stopper; turn the adjustment screw at the base of the stopper and tighten the locking nut upward to secure.
- Attach the flanged tailpiece to the lower drain assembly, using the gasket provided. Then, connect the tailpiece to the drain line.
- Check all connections for leaks.
- After installation, unscrew and remove the aerator assembly. Carefully open the hot and cold valves fully to flush out any debris in the supply lines. Once the lines have been flushed, close the valves, and reinstall the aerator assembly.
- If further assistance is required, please contact Product Support at: 1-800-927-2120 (8am-7pm EST).

**Figure 1**



These guidelines have been prepared for the professional contractor to aid in the installation of:  
**AMELIE BIDET FITTING (AMBF19)**